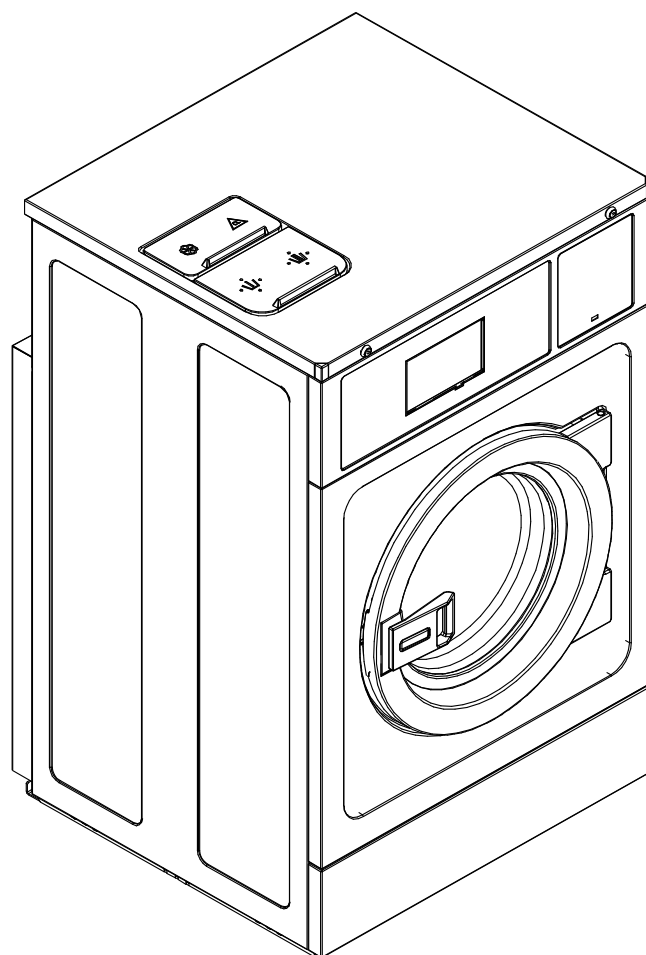


LAVANDERÍA / BUANDERIE / LAUNDRY

Lavadoras de Centrifugado Estándar Lave-linge de Essorage Standard Standard Spin washer-extractors



LN-11 TP2
LN-25 TP2

LN-14 TP2
LN-35 TP2

LN-18 TP2
LN-60 TP2

ENERO 2019 JANUARY

Revisado / Révisé / Revised: 16/04/2019

CONTENIDO / SOMMAIRE / CONTENTS :

A MUEBLE / MEUBLE / UNIT	01
B CUBA / CUVE / TANK.....	02
C CONJUNTO HIDRÁULICO / ENSEMBLE HYDRAULIQUE / HYDRAULIC ASSEMBLY	03
D (LN-11-14-18) CUADRO ELÉCTRICO / TABLEAU ÉLECTRIQUE / ELECTRIC BOARD.....	04
D (LN-25-35-60) CUADRO ELÉCTRICO / TABLEAU ÉLECTRIQUE / ELECTRIC BOARD.....	05
E MONEDERO / PORTA-MONNAIE / COIN SLOT.....	06
LISTA DE REPUESTOS / SPARE PART LIST	07
ESQUEMA ELÉCTRICO / WIRING DIAGRAM	18

INFORMACIÓN / INFORMATION :

Los dibujos representados en este documento son orientativos y pueden no reproducir con exactitud las piezas en cuestión.

Los aparatos están sujetos a modificaciones sin previo aviso. Asegúrese de consultar la última versión del despiece técnico.

Les dessins représentés dans ce document sont indicatives et peuvent ne pas reproduire fidèlement les pièces en question.

Les appareils sont susceptibles d'être modifiés sans préavis. Veuillez à consulter la version la plus récente de ce document technique.

The drawings shown in this document are for guidance and might not represent the parts accurately.

The machinery is subject to change without prior notice. Please, ensure that this is the most recent revision of the spare parts manual.

Referencia del recambio / Référence du pièce de rechange / Spare part reference

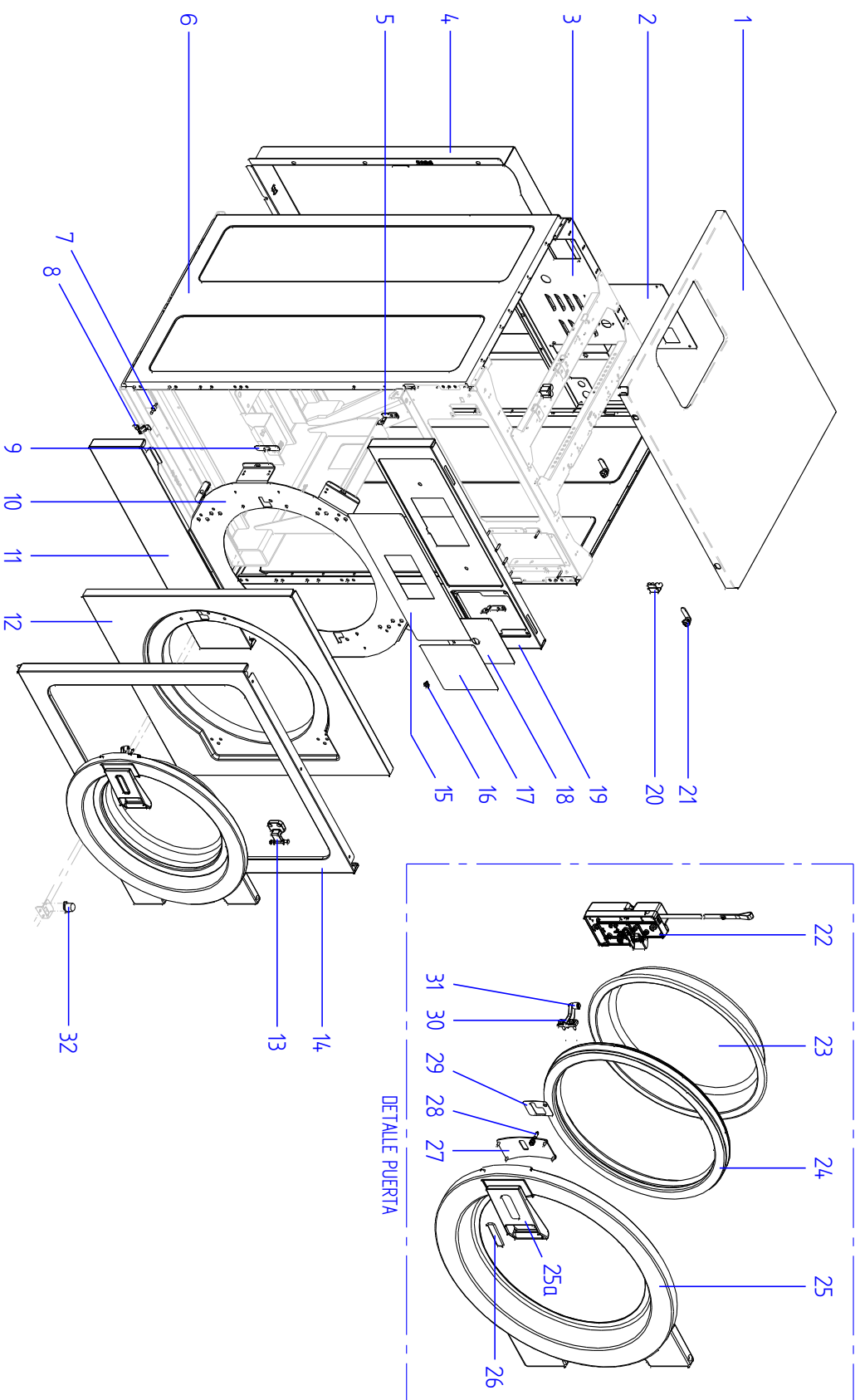
Modelos compatibles con el recambio /
Modèles compatibles avec le pièce /
Suitable models for the spare part

Cantidad / Quantité /
Quantity

ITEM	REF.	DENOMINACIÓN	DÉNOMINATION	DENOMINATION	XXX-01 XXX-02 XXX-03 XXX-04	NOTAS / NOTES
PLANO A / PLAN A / A DRAWING						
1	12345678	RECAMBIO 1	RECHANGE 1	SPARE PART 1	1 1 - -	
	12345679	RECAMBIO 2	RECHANGE 2	SPARE PART 2	- - 1 -	
	12345680	RECAMBIO 3	RECHANGE 3	SPARE PART 3	- - - 1	
2	12121212	RECAMBIO 4	RECHANGE 4	SPARE PART 4	2 2 2 2	
3	★ 2000021	RECAMBIO 5	RECHANGE 5	SPARE PART 5	1 1 1 1	

1: Número de pieza en el plano / Numéro de la pièce sur le plan / Spare part number in the drawing

★: Repuesto recomendado / Pièce de rechange recommandée / Recommended spare part



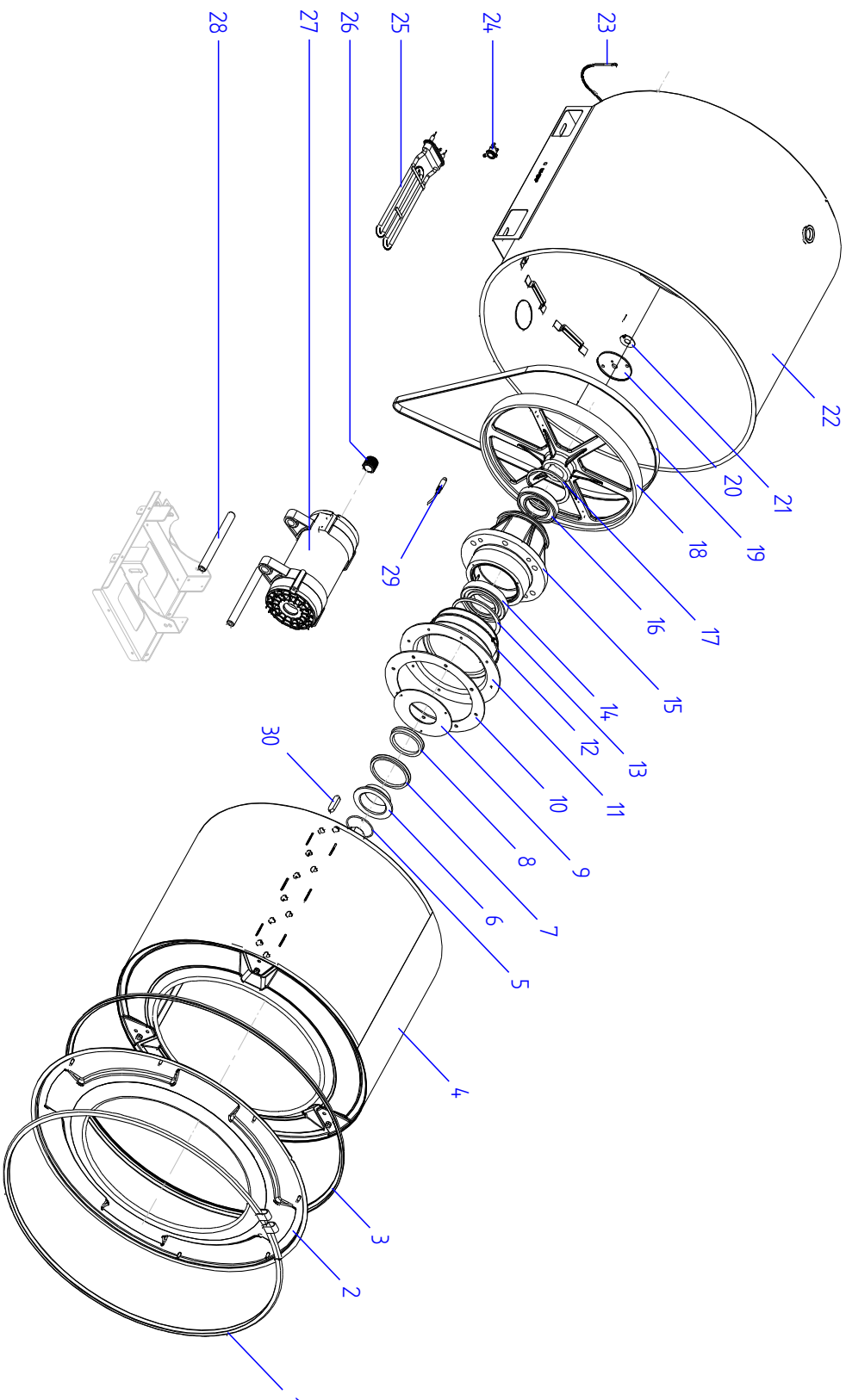
A

MUEBLE / MEUBLE / UNIT

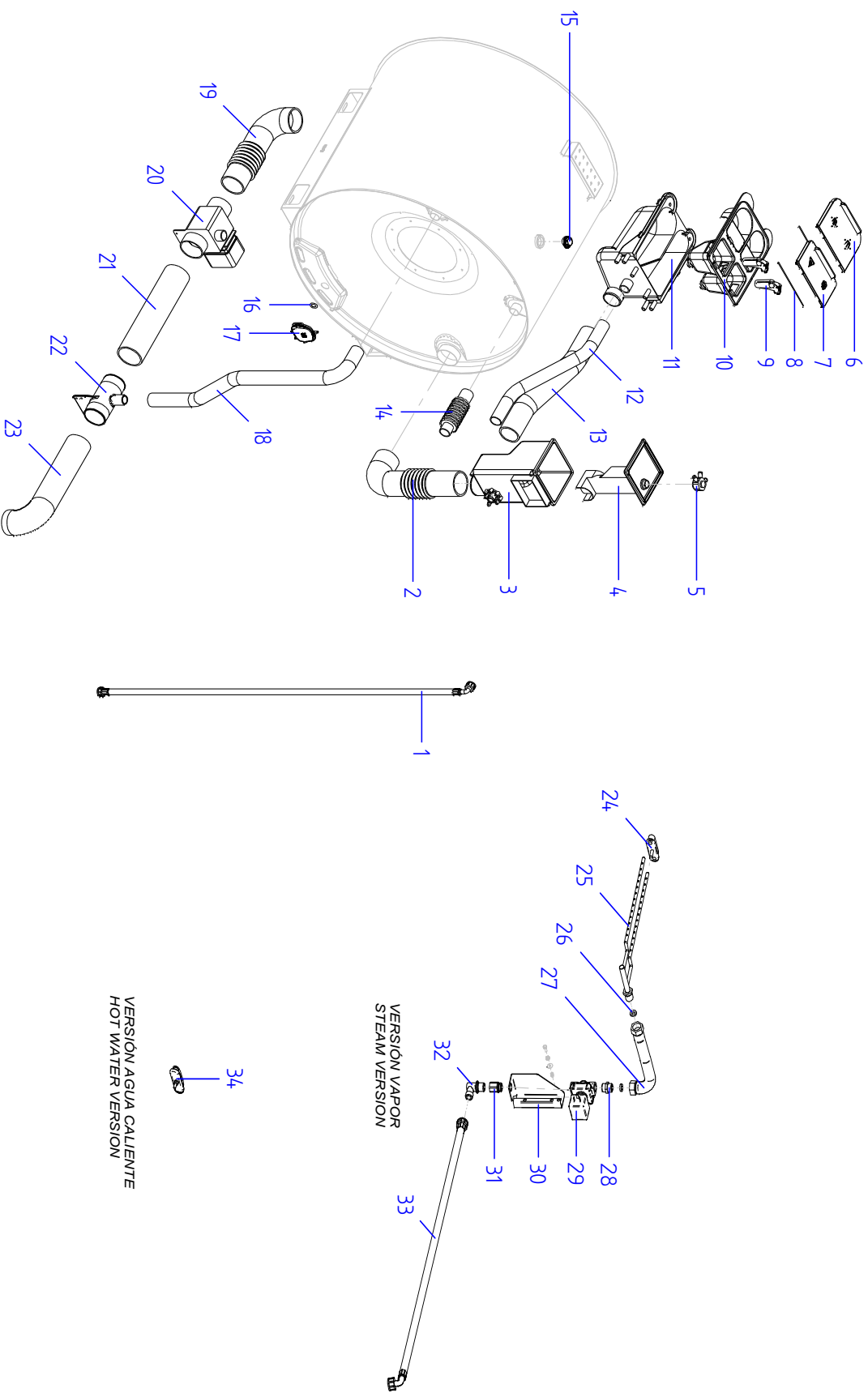
2019-01

LN-11 TP2 / LN-14 TP2 / LN-18 TP2 / LN-25 TP2 / LN-35 TP2 / LN-60 TP2

LAVADORAS DE CENTRIFUGADO ESTÁNDAR / LAVE-LINGE DE ESSORAGE STANDARD /
STANDARD SPIN WASHER-EXTRACTORS



B	CUBA / CUVE / TANK	2019-01
---	--------------------	---------



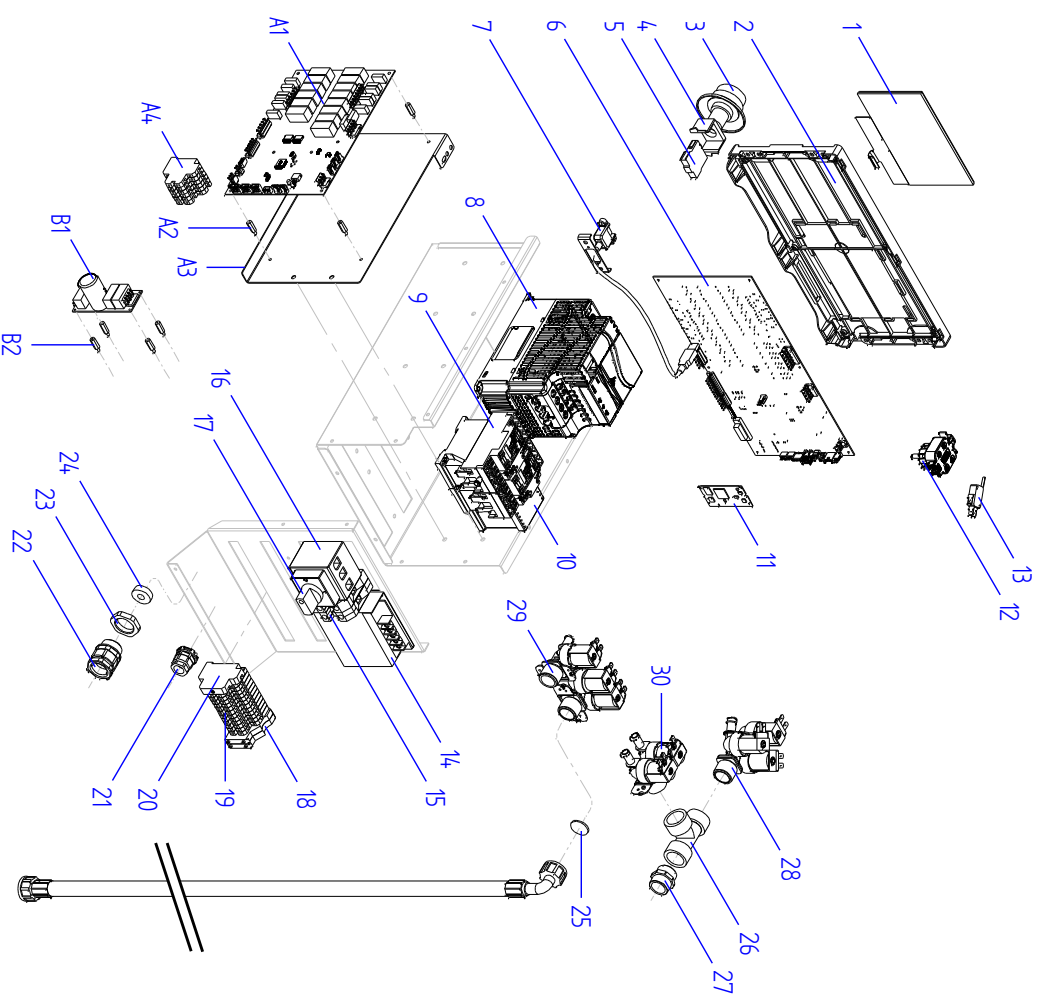
C

CONJUNTO HIDRÁULICO / ENSEMBLE HYDRAULIQUE / HYDRAULIC ASSEMBLY

2019-01

LN-11 TP2 / LN-14 TP2 / LN-18 TP2 / LN-25 TP2 / LN-35 TP2 / LN-60 TP2

LAVADORAS DE CENTRIFUGADO ESTÁNDAR / LAVE-LINGE DE ESSORAGE STANDARD /
STANDARD SPIN WASHER-EXTRACTORS



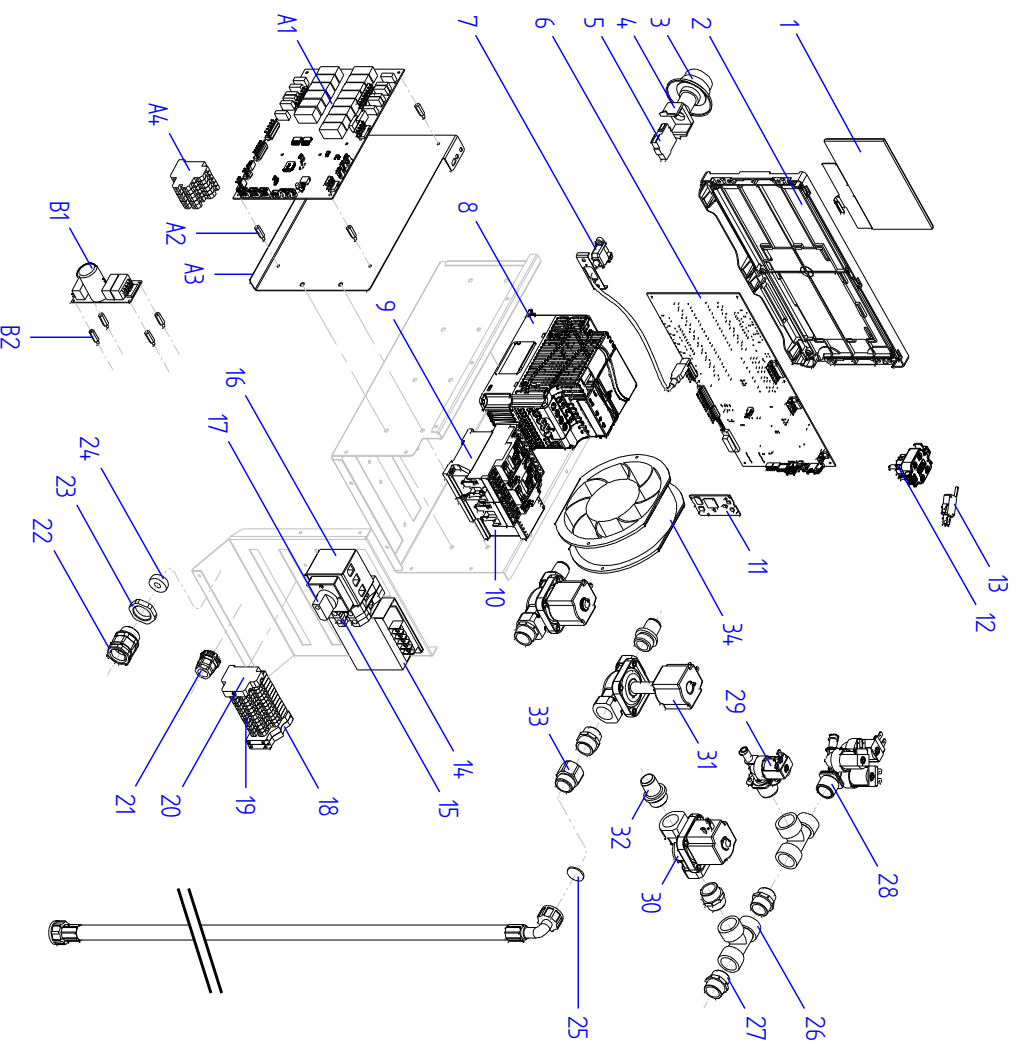
D

(LN-11-14-18) CUADRO ELÉCTRICO / TABLEAU ÉLECTRIQUE / ELECTRIC BOARD

2019-01

LN-11 TP2 / LN-14 TP2 / LN-18 TP2 / LN-25 TP2 / LN-35 TP2 / LN-60 TP2

LAVADORAS DE CENTRIFUGADO ESTÁNDAR / LAVE-LINGE DE ESSORAGE STANDARD /
STANDARD SPIN WASHER-EXTRACTORS



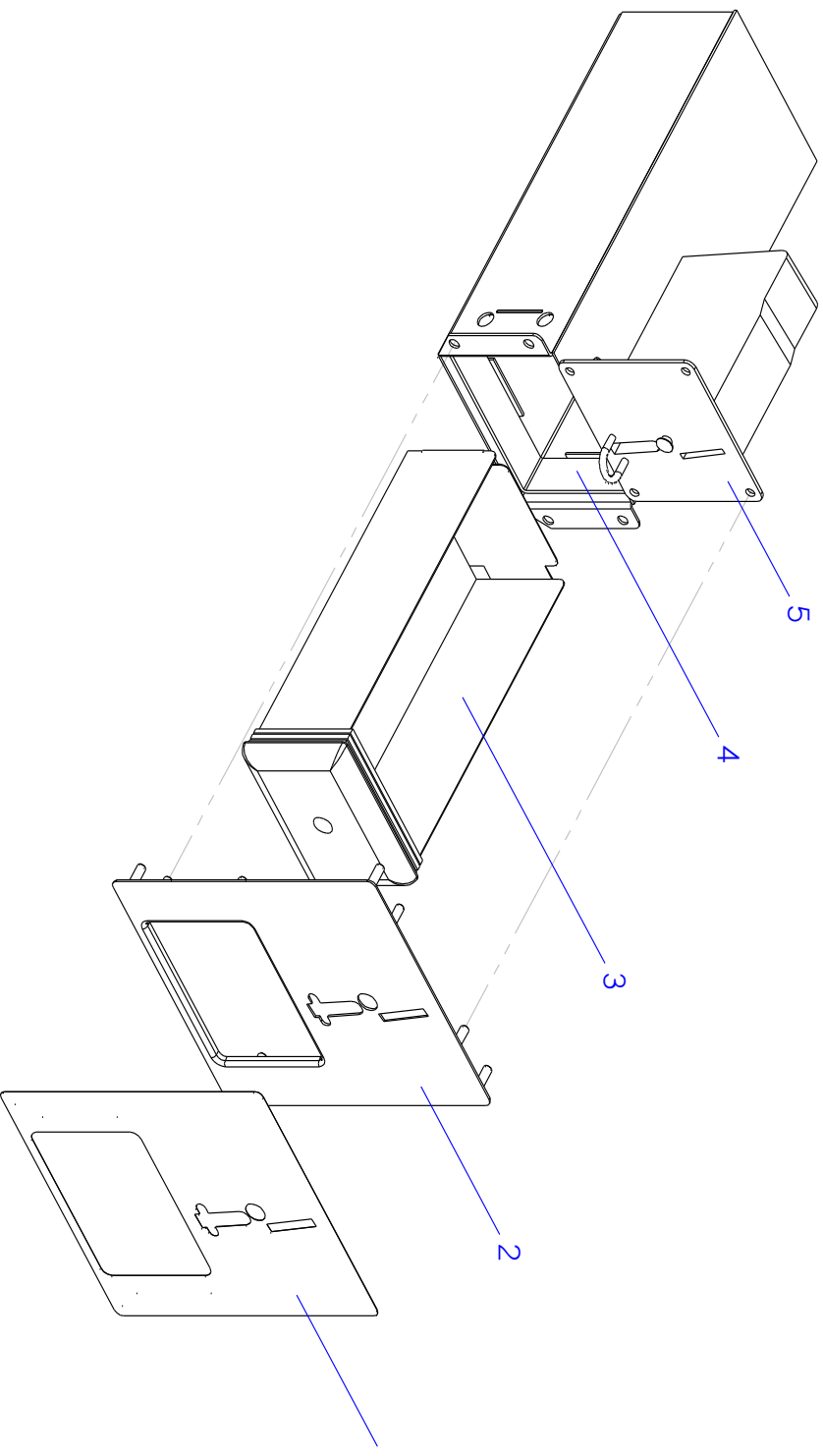
E

(LN-25-35-60) CUADRO ELÉCTRICO / TABLEAU ÉLECTRIQUE / ELECTRIC BOARD

2019-01

LN-11 TP2 / LN-14 TP2 / LN-18 TP2 / LN-25 TP2 / LN-35 TP2 / LN-60 TP2

LAVADORAS DE CENTRIFUGADO ESTÁNDAR / LAVE-LINGE DE ESSORAGE STANDARD /
STANDARD SPIN WASHER-EXTRACTORS



F	MONEDERO / PORTE-MONNAIE / COIN SLOT	2019-01
---	--------------------------------------	---------

LN-11 TP2 / LN-14 TP2 / LN-18 TP2 / LN-25 TP2 / LN-35 TP2 / LN-60 TP2

LAVADORAS DE CENTRIFUGADO ESTÁNDAR / LAVE-LINGE DE ESSORAGE STANDARD / STANDARD SPIN WASHER-EXTRACTORS

ITEM	REF.	DENOMINACIÓN	DÉNOMINATION	DENOMINATION	LN-11 TP2	LN-14 TP2	LN-18 TP2	LN-25 TP2	LN-35 TP2	LN-60 TP2	NOTAS / NOTES
------	------	--------------	--------------	--------------	-----------	-----------	-----------	-----------	-----------	-----------	---------------

PLANO A (MUEBLE) / PLAN A (MEUBLE) / A DRAWING (UNIT)

1	1216012	ENCIMERA SKINPLATE	COMPTOIR SKINPLATE	SKINPLATE WORKTOP	1	-	-	-	-	-	
	1216007	ENCIMERA SKINPLATE	COMPTOIR SKINPLATE	SKINPLATE WORKTOP	-	1	-	-	-	-	
	1216009	ENCIMERA SKINPLATE	COMPTOIR SKINPLATE	SKINPLATE WORKTOP	-	-	1	-	-	-	versión SKINPLATE / version SKINPLATE / SKINPLATE version
	1216549	ENCIMERA SKINPLATE	COMPTOIR SKINPLATE	SKINPLATE WORKTOP	-	-	-	1	-	-	
	1216589	ENCIMERA SKINPLATE	COMPTOIR SKINPLATE	SKINPLATE WORKTOP	-	-	-	-	1	-	
	12168578	ENCIMERA SKINPLATE	COMPTOIR SKINPLATE	SKINPLATE WORKTOP	-	-	-	-	-	1	
1a	11009060	PERFIL GOMA APOYO CUBETERA	PROFIL EN CAOUTCHOUC	TRAY SUPPORT RUBBER PROFILE	0,93	0,93	0,93	0,93	0,93	0,93	unidad en metros (m) / unité en mètres / unit in metres (m)
1	12127745	ENCIMERA INOX	COMPTOIR INOXYDABLE	STAINLESS WORKTOP	1	-	-	-	-	-	
	12126078	ENCIMERA INOX	COMPTOIR INOXYDABLE	STAINLESS WORKTOP	-	1	-	-	-	-	
	12114394	ENCIMERA INOX	COMPTOIR INOXYDABLE	STAINLESS WORKTOP	-	-	1	-	-	-	versión ACERO INOXIDABLE / version ACIER INOXYDABLE / STAINLESS STEEL version
	12119880	ENCIMERA INOX	COMPTOIR INOXYDABLE	STAINLESS WORKTOP	-	-	-	1	-	-	
	12127939	ENCIMERA INOX	COMPTOIR INOXYDABLE	STAINLESS WORKTOP	-	-	-	-	1	-	
	12120080	ENCIMERA INOX	COMPTOIR INOXYDABLE	STAINLESS WORKTOP	-	-	-	-	-	1	
2	12119916	TAPA CUADRO ELECTRICO	COUVERCLE DE TABLEAU ELECTRIQUE	ELECTRIC BOARD COVER	1	-	-	-	-	-	
	12119402	TAPA CUADRO ELECTRICO	COUVERCLE DE TABLEAU ELECTRIQUE	ELECTRIC BOARD COVER	-	1	1	1	1	1	
3	12165407	SOPORTE ELECTROVALVULAS	ELECTROVANNE EQUEPPE	SOLENOID VALVE SUPPORT	1	1	-	-	-	-	
	12165413	SOPORTE ELECTROVALVULAS	ELECTROVANNE EQUEPPE	SOLENOID VALVE SUPPORT	-	-	1	-	-	-	
	12165457	SOPORTE ELECTROVALVULAS	ELECTROVANNE EQUEPPE	SOLENOID VALVE SUPPORT	-	-	-	1	-	-	
	12165440	SOPORTE ELECTROVALVULAS	ELECTROVANNE EQUEPPE	SOLENOID VALVE SUPPORT	-	-	-	-	1	-	
	12165398	SOPORTE ELECTROVALVULAS	ELECTROVANNE EQUEPPE	SOLENOID VALVE SUPPORT	-	-	-	-	-	1	
4	12127909	PANEL POSTERIOR	PANNEAU POSTERIEUR	REAR PANEL	1	1	-	-	-	-	
	12120098	PANEL POSTERIOR	PANNEAU POSTERIEUR	REAR PANEL	-	-	1	-	-	-	
	12162099	PANEL POSTERIOR	PANNEAU POSTERIEUR	REAR PANEL	-	-	-	1	-	-	
	12046889	PANEL POSTERIOR	PANNEAU POSTERIEUR	REAR PANEL	-	-	-	-	1	-	
	12088203	PANEL POSTERIOR	PANNEAU POSTERIEUR	REAR PANEL	-	-	-	-	-	1	
5	12227401	BISAGRA PORTAMANDOS IZO	CHAMBIERE TABL. DE COMMANDE GAUCHE	CONTROL PANEL LEFT HINGE	1	1	1	1	1	-	
	12114395	BISAGRA PORTAMANDOS DCH	CHAMBIERE TABL. DE COMMANDE DROITE	CONTROL PANEL RIGHT HINGE	1	1	1	1	1	-	
	12114396	BISAGRA PORTAMANDOS DCH	CHAMBIERE TABL. DE COMMANDE DROITE	CONTROL PANEL RIGHT HINGE	-	-	-	-	-	1	
6	12171517	PANEL LATERAL SKINPLATE	PANNEAU LATERAL SKINPLATE	SKINPLATE SIDE PANEL	2	-	-	-	-	-	
	12171506	PANEL LATERAL SKINPLATE	PANNEAU LATERAL SKINPLATE	SKINPLATE SIDE PANEL	-	2	-	-	-	-	
	12168536	PANEL LATERAL SKINPLATE	PANNEAU LATERAL SKINPLATE	SKINPLATE SIDE PANEL	-	-	2	-	-	-	versión SKINPLATE / version SKINPLATE / SKINPLATE version
	12168537	PANEL LATERAL SKINPLATE	PANNEAU LATERAL SKINPLATE	SKINPLATE SIDE PANEL	-	-	-	2	-	-	
	12183576	PANEL LATERAL SKINPLATE	PANNEAU LATERAL SKINPLATE	SKINPLATE SIDE PANEL	-	-	-	-	2	-	
	12186894	PANEL LATERAL SKINPLATE	PANNEAU LATERAL SKINPLATE	SKINPLATE SIDE PANEL	-	-	-	-	-	2	
6	12173764	PANEL LATERAL INOX	PANNEAU LATERAL INOXYDABLE	STAINLESS SIDE PANEL	2	-	-	-	-	-	
	12173752	PANEL LATERAL INOX	PANNEAU LATERAL INOXYDABLE	STAINLESS SIDE PANEL	-	2	-	-	-	-	
	12170054	PANEL LATERAL INOX	PANNEAU LATERAL INOXYDABLE	STAINLESS SIDE PANEL	-	-	2	-	-	-	versión ACERO INOXIDABLE / version ACIER INOXYDABLE / STAINLESS STEEL version
	12162083	PANEL LATERAL INOX	PANNEAU LATERAL INOXYDABLE	STAINLESS SIDE PANEL	-	-	-	2	-	-	
	12184274	PANEL LATERAL INOX	PANNEAU LATERAL INOXYDABLE	STAINLESS SIDE PANEL	-	-	-	-	2	-	
	12089167	PANEL LATERAL INOX	PANNEAU LATERAL INOXYDABLE	STAINLESS SIDE PANEL	-	-	-	-	-	2	
7	12009693	PTON CIERRE	BEC FERMETURE	LOCK BOLT	7	7	7	13	13	13	
8	12009480	MUELE CIERRE	RESSORT FERMETURE	LOCK SPRING	7	7	7	7	7	7	
9	12120183	SEPARADOR CALZO PUERTA	SEPARATEUR CALE PORTE	DOOR PROP SPACER	6	6	6	6	6	8	

LN-11 TP2 / LN-14 TP2 / LN-18 TP2 / LN-25 TP2 / LN-35 TP2 / LN-60 TP2

LAVADORAS DE CENTRIFUGADO ESTÁNDAR / LAVE-LINGE DE ESSORAGE STANDARD / STANDARD SPIN WASHER-EXTRACTORS

ITEM	REF.	DENOMINACIÓN	DÉNOMINATION	DENOMINATION	LN-11 TP2 / LN-14 TP2 / LN-18 TP2 / LN-25 TP2 / LN-35 TP2 / LN-60 TP2					NOTAS / NOTES	
					LN-11 TP2	LN-14 TP2	LN-18 TP2	LN-25 TP2	LN-35 TP2		LN-60 TP2
9	12119826	SEPARADOR CALZO PUERTA	SEPARATEUR CALE PORTE	DOOR PROP SPACER	-	-	-	-	8	8	
10	12121036	CALZO PUERTA	CALE PORTE	DOOR PROP	1	1	-	-	-	-	
	12121490	CALZO PUERTA	CALE PORTE	DOOR PROP	-	-	1	1	-	-	
	12128227	CALZO PUERTA	CALE PORTE	DOOR PROP	-	-	-	-	1	-	
	12129537	CALZO PUERTA	CALE PORTE	DOOR PROP	-	-	-	-	-	1	
11	12171522	ZOCALO SKINPLATE	PLINTE SKINPLATE	SKINPLATE SKRTING	1	1	-	-	-	-	
	12168807	ZOCALO SKINPLATE	PLINTE SKINPLATE	SKINPLATE SKRTING	-	-	1	-	-	-	
	12168870	ZOCALO SKINPLATE	PLINTE SKINPLATE	SKINPLATE SKRTING	-	-	-	1	-	-	
	12184103	ZOCALO SKINPLATE	PLINTE SKINPLATE	SKINPLATE SKRTING	-	-	-	-	1	-	
	12188669	ZOCALO SKINPLATE	PLINTE SKINPLATE	SKINPLATE SKRTING	-	-	-	-	-	1	
11	12137355	ZOCALO INOX	PLINTE INOXIDABLE	SKINPLATE SKRTING	1	1	-	-	-	-	
	12160777	ZOCALO INOX	PLINTE INOXIDABLE	SKINPLATE SKRTING	-	-	1	-	-	-	
	12188776	ZOCALO INOX	PLINTE INOXIDABLE	SKINPLATE SKRTING	-	-	-	1	-	-	
	12184279	ZOCALO INOX	PLINTE INOXIDABLE	SKINPLATE SKRTING	-	-	-	-	1	-	
	12098196	ZOCALO INOX	PLINTE INOXIDABLE	SKINPLATE SKRTING	-	-	-	-	-	1	
12	12184667	FONDO PUERTA SKINPLATE	FOND DE PORTE SKINPLATE	SKINPLATE DOOR BASE	1	1	-	-	-	-	
	12168689	FONDO PUERTA SKINPLATE	FOND DE PORTE SKINPLATE	SKINPLATE DOOR BASE	-	-	1	1	-	-	
	12184108	FONDO PUERTA SKINPLATE	FOND DE PORTE SKINPLATE	SKINPLATE DOOR BASE	-	-	-	-	1	-	
	12188619	FONDO PUERTA SKINPLATE	FOND DE PORTE SKINPLATE	SKINPLATE DOOR BASE	-	-	-	-	-	1	
12	12212055	FONDO PUERTA INOX	FOND DE PORTE INOXIDABLE	SKINPLATE DOOR BASE	1	1	-	-	-	-	
	12160630	FONDO PUERTA INOX	FOND DE PORTE INOXIDABLE	SKINPLATE DOOR BASE	-	-	1	1	-	-	
	12184801	FONDO PUERTA INOX	FOND DE PORTE INOXIDABLE	SKINPLATE DOOR BASE	-	-	-	-	1	-	
	12127865	FONDO PUERTA INOX	FOND DE PORTE INOXIDABLE	SKINPLATE DOOR BASE	-	-	-	-	-	1	
13	12227476	BISAGRA PUERTA	CHAMBIERE DE PORTE	DOOR HINGE	2	2	2	2	-	-	
	12227479	BISAGRA PUERTA	CHAMBIERE DE PORTE	DOOR HINGE	-	-	-	-	2	2	
14	12171515	MARCO FRONTAL SKINPLATE	CADRE FRONTAL SKINPLATE	SKINPLATE FRONT FRAME	1	1	-	-	-	-	
	12167344	MARCO FRONTAL SKINPLATE	CADRE FRONTAL SKINPLATE	SKINPLATE FRONT FRAME	-	-	1	-	-	-	
	12167943	MARCO FRONTAL SKINPLATE	CADRE FRONTAL SKINPLATE	SKINPLATE FRONT FRAME	-	-	-	1	-	-	
	12184101	MARCO FRONTAL SKINPLATE	CADRE FRONTAL SKINPLATE	SKINPLATE FRONT FRAME	-	-	-	-	1	-	
	12188638	MARCO FRONTAL SKINPLATE	CADRE FRONTAL SKINPLATE	SKINPLATE FRONT FRAME	-	-	-	-	-	1	
14	12137351	MARCO FRONTAL INOX	CADRE FRONTAL INOXIDABLE	SKINPLATE FRONT FRAME	1	1	-	-	-	-	
	12160588	MARCO FRONTAL INOX	CADRE FRONTAL INOXIDABLE	SKINPLATE FRONT FRAME	-	-	1	-	-	-	
	12160994	MARCO FRONTAL INOX	CADRE FRONTAL INOXIDABLE	SKINPLATE FRONT FRAME	-	-	-	1	-	-	
	12184270	MARCO FRONTAL INOX	CADRE FRONTAL INOXIDABLE	SKINPLATE FRONT FRAME	-	-	-	-	1	-	
	12098185	MARCO FRONTAL INOX	CADRE FRONTAL INOXIDABLE	SKINPLATE FRONT FRAME	-	-	-	-	-	1	
14a	11000420	PERFIL A1 010 9X6 (PVC)	PROFILÉ A1 010 9X6 (PVC)	A1 010 9X6 (PVC) PROFILE	2	2,5	2,5	2,5	3	3	unidad en metros (m) / unité en mètres / uniti in metres (m)
15	★12168994	ADHESIVO DISPLAY TP2 FAGOR	ADHESIF DISPLAY TP2 FAGOR	FAGOR TP2 DISPLAY STICKER	1	1	1	1	1	1	
16	12119854	TARON USB	BOUCHON USB	USB CAP	1	1	1	1	1	1	
17	★12128497	ADHESIVO ON/OFF NEGRO	ADHESIF ON/OFF NOIRE	BLACK ON/OFF STICKER	1	1	1	1	1	1	
18	12120271	TAPA MONEDERO COMPLETA	COUVERCLE PORTE-MOONNAME	COIN SLOT COVER	1	1	1	1	1	1	versión PULSADOR DE EMERGENCIA / version BOUTON D'ARRÊT D'URGENCE / EMERGENCY PUSH BUTTON version
19	12173927	PORTAMANDOS SKINPLATE	TABLAU DE COMMANDE SKINPLATE	SKINPLATE CONTROL PANEL	1	1	-	-	-	-	
	12170410	PORTAMANDOS SKINPLATE	TABLAU DE COMMANDE SKINPLATE	SKINPLATE CONTROL PANEL	-	-	1	-	-	-	
	12170407	PORTAMANDOS SKINPLATE	TABLAU DE COMMANDE SKINPLATE	SKINPLATE CONTROL PANEL	-	-	-	1	-	-	
	12185643	PORTAMANDOS SKINPLATE	TABLAU DE COMMANDE SKINPLATE	SKINPLATE CONTROL PANEL	-	-	-	-	1	-	
	12185643	PORTAMANDOS SKINPLATE	TABLAU DE COMMANDE SKINPLATE	SKINPLATE CONTROL PANEL	-	-	-	-	-	1	

ITEM	REF.	DENOMINACIÓN	DÉNOMINATION	DENOMINATION	LN-11 TP2 / LN-14 TP2 / LN-18 TP2 / LN-25 TP2 / LN-35 TP2 / LN-60 TP2					NOTAS / NOTES	
19	12173749	PORTAMANDOS INOX	TABLEAU DE COMMANDE INOXIDABLE	STAINLESS CONTROL PANEL	1	1	-	-	-	-	versión ACERO INOXIDABLE / version ACIER INOXIDABLE / STAINLESS STEEL version
	12171345	PORTAMANDOS INOX	TABLEAU DE COMMANDE INOXIDABLE	STAINLESS CONTROL PANEL	-	-	1	-	-	-	
	12171676	PORTAMANDOS INOX	TABLEAU DE COMMANDE INOXIDABLE	STAINLESS CONTROL PANEL	-	-	-	1	-	-	
	12212058	PORTAMANDOS INOX	TABLEAU DE COMMANDE INOXIDABLE	STAINLESS CONTROL PANEL	-	-	-	-	1	-	
	12128221	PORTAMANDOS INOX	TABLEAU DE COMMANDE INOXIDABLE	STAINLESS CONTROL PANEL	-	-	-	-	-	1	
	12167166	CANTONERA ENCIMERA LAVADORAS	CANTONNIERE COMPTOIR	WORKTOP CORNER PIECE	2	2	2	2	2	2	
20	12024998	CERRADURA 0330	SERRURE 0330	0330 LOCK	2	2	2	2	2	2	
21	12024998	CERRADURA 0330	SERRURE 0330	0330 LOCK	2	2	2	2	2	2	
22	★12140743	CIERRE COMPLETO UL 205V	SERRURE UL 205V	UL 205V LOCK	1	1	1	1	1	1	
23	12024768	MIRILLA PUERTA	VERRE DE PORTE	DOOR GLASS	1	1	-	-	-	-	
	12141205	MIRILLA PUERTA	VERRE DE PORTE	DOOR GLASS	-	-	1	1	-	-	
	12049088	MIRILLA PUERTA	VERRE DE PORTE	DOOR GLASS	-	-	-	-	1	1	
24	★12023884	JUNTA PUERTA	JOINT DE PORTE	DOOR SEAL	1	1	-	-	-	-	
	★12141203	JUNTA PUERTA	JOINT DE PORTE	DOOR SEAL	-	-	1	1	-	-	
	★12049089	JUNTA PUERTA	JOINT DE PORTE	DOOR SEAL	-	-	-	-	1	1	
25	12161887	MARCO PUERTA + TIRADOR	CADRE DE PORTE + POIGNEE	DOOR FRAME + HANDLE	1	1	-	-	-	-	
	12161827	MARCO PUERTA + TIRADOR	CADRE DE PORTE + POIGNEE	DOOR FRAME + HANDLE	-	-	1	1	-	-	
	12128270	MARCO PUERTA	CADRE DE PORTE	DOOR FRAME	-	-	-	-	1	1	
25a	12087007	TIRADOR	POIGNEE	FAGOR HANDLE	-	-	-	-	1	1	
25b	12016778	PASADOR MANEJA	BOLLON POIGNEE	HANDLE FIN	-	-	-	-	2	2	
25c	12013888	MUELE MANEJA	RESSORT POIGNEE	HANDLE SPRING	-	-	-	-	1	1	
25d	12010103	ARANDELA SEGURIDAD DIN 6799	ROUNDELLE DE BLOCAGE DIN 6799	DIN 6799 WASHER	-	-	-	-	1	1	
26	12170858	ADHESIVO TIRADOR FAGOR	ADHESIF POIGNEE FAGOR	FAGOR HANDLE STICKER	1	1	1	1	1	1	
27	12194415	TAPA CIERRE	COUVERCLE SERRURE	LOCK COVER	1	1	-	-	-	-	
	12169444	TAPA CIERRE	COUVERCLE SERRURE	LOCK COVER	-	-	1	1	-	-	
	12195486	TAPA CIERRE	COUVERCLE SERRURE	LOCK COVER	-	-	-	-	1	1	
28	12227593	EJE CIERRE	AXE SERRURE	LOCK SHAFT	1	1	1	1	1	1	
29	12128011	EMBELLecedor CIERRE	ENJOUEUR SERRURE	LOCK TRIM	1	1	1	1	1	1	
30	12227622	GANCIO REGULABLE CIERRE	CHOCHE REGULABLE SERRURE	ADJUSTABLE LOCK HOOK	1	1	1	1	1	1	
31	★12025215	CASQUILLO PUERTA	BAQUE PORTE	DOOR BUSHING	1	1	1	1	1	1	
32	★12132001	SENSOR DE VIBRACION	CAPTEUR DE VIBRATION	VIBRATION SENSOR	1	1	1	1	1	1	
PLANO B (TAMBOR) / PLAN B (TAMBOUR) / B DRAWING (DRUM)											
1	12023108	CIERRE CUBA	SERRURE CUVE	TUB ENCLOSURE	1	1	-	-	-	-	
	12023108	CIERRE CUBA	SERRURE CUVE	TUB ENCLOSURE	-	-	1	-	-	-	
	12023105	CIERRE CUBA	SERRURE CUVE	TUB ENCLOSURE	-	-	-	1	-	-	
	12049772	CIERRE CUBA	SERRURE CUVE	TUB ENCLOSURE	-	-	-	-	1	-	
	12087675	CIERRE CUBA	SERRURE CUVE	TUB ENCLOSURE	-	-	-	-	-	1	
2	12184829	FRENTE CUBA	FRONT CUVE	TUB FRONT	1	1	-	-	-	-	
	12140987	FRENTE CUBA	FRONT CUVE	TUB FRONT	-	-	1	-	-	-	
	12152012	FRENTE CUBA	FRONT CUVE	TUB FRONT	-	-	-	1	-	-	
	12185680	FRENTE CUBA	FRONT CUVE	TUB FRONT	-	-	-	-	1	-	
	12097739	FRENTE CUBA	FRONT CUVE	TUB FRONT	-	-	-	-	-	1	
3	12023268	JUNTA CUBA	JOINT CUVE	TUB SEAL	1	1	-	-	-	-	
	12023260	JUNTA CUBA	JOINT CUVE	TUB SEAL	-	-	1	-	-	-	
	12023265	JUNTA CUBA	JOINT CUVE	TUB SEAL	-	-	-	1	-	-	
	12049084	JUNTA CUBA	JOINT CUVE	TUB SEAL	-	-	-	-	1	-	

ITEM	REF.	DENOMINACIÓN	DÉNOMINATION	DENOMINATION	LN-11 TP2 / LN-14 TP2 / LN-18 TP2 / LN-25 TP2 / LN-35 TP2 / LN-60 TP2					NOTAS / NOTES		
					LN-11 TP2	LN-14 TP2	LN-18 TP2	LN-25 TP2	LN-35 TP2		LN-60 TP2	
3	12087673	JUNTA CUBA	JOINT CUVE	TUB SEAL	-	-	-	-	-	-	1	
4	12127620	TAMBOR	TAMBOR	DRUM	1	-	-	-	-	-	-	
	12127688	TAMBOR	TAMBOR	DRUM	-	1	-	-	-	-	-	
	12186889	TAMBOR	TAMBOR	DRUM	-	-	1	-	-	-	-	
	12189488	TAMBOR	TAMBOR	DRUM	-	-	-	1	-	-	-	
	12189488	TAMBOR	TAMBOR	DRUM	-	-	-	-	1	-	-	
	12087985	TAMBOR	TAMBOR	DRUM	-	-	-	-	-	1	-	
4	12139804	TAMBOR SLIUCE	TAMBOR SLIUCE	SLIUCE DRUM	1	-	-	-	-	-	-	
	12193774	TAMBOR SLIUCE	TAMBOR SLIUCE	SLIUCE DRUM	-	1	-	-	-	-	-	
	12210497	TAMBOR SLIUCE	TAMBOR SLIUCE	SLIUCE DRUM	-	-	-	1	-	-	-	
	12225745	TAMBOR SLIUCE	TAMBOR SLIUCE	SLIUCE DRUM	-	-	-	-	1	-	-	
	12139788	TAMBOR SLIUCE	TAMBOR SLIUCE	SLIUCE DRUM	-	-	-	-	-	1	-	
5	★12010078	JUNTA TOR 55x3	JOINT TOR 55x3	55x3 O-RING	1	1	-	-	-	-	-	
	★12010067	JUNTA TOR 60x3	JOINT TOR 60x3	60x3 O-RING	-	-	-	1	-	-	-	
	★12010019	JUNTA TOR 82x3	JOINT TOR 82x3	82x3 O-RING	-	-	-	-	1	1	1	
6	12047327	CASQUILLO EJE	BAQUE AXE	AXIS BUSHING	1	1	1	-	-	-	-	
	12041189	CASQUILLO EJE	BAQUE AXE	AXIS BUSHING	-	-	-	-	1	1	-	
	12046282	CASQUILLO EJE	BAQUE AXE	AXIS BUSHING	-	-	-	-	-	1	1	
	12097631	CASQUILLO EJE	BAQUE AXE	AXIS BUSHING	-	-	-	-	-	-	1	
7	12025038	RETEN V-RING VA-80 VITON	BAQUES V-RING VA-80 VITON	V-RING RETAINER VA-80 VITON	1	1	-	-	-	-	-	
	12024987	RETEN V-RING VA-85 VITON	BAQUES V-RING VA-85 VITON	V-RING RETAINER VA-85 VITON	-	-	1	-	-	-	-	
	12024988	RETEN V-RING VA-95 VITON	BAQUES V-RING VA-95 VITON	V-RING RETAINER VA-95 VITON	-	-	-	1	-	-	-	
	12046284	RETEN VA-110 VITON	BAQUES VA-110 VITON	V-RING RETAINER VA-110 VITON	-	-	-	-	-	1	-	
8	12089192	RETEN V-RING VA-130 VITON	BAQUES V-RING VA-130 VITON	V-RING RETAINER VA-130 VITON	-	-	-	-	-	-	1	
	12025226	RETEN V-RING 65 NBR	BAQUES V-RING 65 NBR	V-RING RETAINER 65A NBR	1	1	1	-	-	-	-	
	12025220	RETEN V-RING VA-75 NBR	BAQUES V-RING VA-75 NBR	V-RING RETAINER VA-75 NBR	-	-	-	1	-	-	-	
	12046283	RETEN VA-85 NBR	BAQUES VA-85 NBR	V-RING RETAINER VA-85 NBR	-	-	-	-	-	1	-	
9	12024993	RETEN V-RING VA-100 VITON	BAQUES V-RING VA-100 VITON	V-RING RETAINER VA-100 VITON	-	-	-	-	-	-	1	
	12047324	CHAPA CONTRARETEN	TÔLE CONTRREBAQUE	FLAT LIP SEAL SHEET	1	1	-	-	-	-	-	
	12047332	CHAPA CONTRARETEN	TÔLE CONTRREBAQUE	FLAT LIP SEAL SHEET	-	-	1	-	-	-	-	
	12047196	CHAPA CONTRARETEN	TÔLE CONTRREBAQUE	FLAT LIP SEAL SHEET	-	-	-	1	-	-	-	
	12047334	CHAPA CONTRARETEN	TÔLE CONTRREBAQUE	FLAT LIP SEAL SHEET	-	-	-	-	1	-	-	
	12089163	CHAPA CONTRARETEN	TÔLE CONTRREBAQUE	FLAT LIP SEAL SHEET	-	-	-	-	-	1	-	
10	12047339	CHAPA CONDUCTO CUBA	TÔLE CONDUIT CUVE	TUB PIPE SHEET	1	1	-	-	-	-	-	
	12047342	CHAPA CONDUCTO CUBA	TÔLE CONDUIT CUVE	TUB PIPE SHEET	-	-	1	-	-	-	-	
	12047341	CHAPA CONDUCTO CUBA	TÔLE CONDUIT CUVE	TUB PIPE SHEET	-	-	-	1	-	-	-	
	12047943	CHAPA CONDUCTO CUBA	TÔLE CONDUIT CUVE	TUB PIPE SHEET	-	-	-	-	1	-	-	
	12089161	CHAPA CONDUCTO CUBA	TÔLE CONDUIT CUVE	TUB PIPE SHEET	-	-	-	-	-	1	-	
11	12047895	CONDUCTO CUBA	CONDUIT CUVE	TUB PIPE	1	1	-	-	-	-	-	
	12047896	CONDUCTO CUBA	CONDUIT CUVE	TUB PIPE	-	-	1	-	-	-	-	
	12047897	CONDUCTO CUBA	CONDUIT CUVE	TUB PIPE	-	-	-	1	-	-	-	
	12047898	CONDUCTO CUBA	CONDUIT CUVE	TUB PIPE	-	-	-	-	1	-	-	
	12089160	CONDUCTO CUBA	CONDUIT CUVE	TUB PIPE	-	-	-	-	-	1	-	
12	12117637	ABRA. SINFIN DIN 3017 ZINC. 120-140S	COLLIER DIN 3017 ZINC. 120-140S	DIN 3017 ZINC. 120-140S CLAMP	1	1	-	-	-	-	-	
	12048863	ABRA. SINFIN DIN 3017 SW1 150-170	COLLIER DIN 3017 SW1 150-170	DIN 3017 SW1 150-170 CLAMP	-	-	1	1	-	-	-	

version SLIUCE / version SLIUCE / SLIUCE version

LN-11 TP2 / LN-14 TP2 / LN-18 TP2 / LN-25 TP2 / LN-35 TP2 / LN-60 TP2

LAVADORAS DE CENTRIFUGADO ESTÁNDAR / LAVES-LINGE DE ESSORAGE STANDARD / STANDARD SPIN WASHER-EXTRACTORS

ITEM	REF.	DENOMINACIÓN	DÉNOMINATION	DENOMINATION						NOTAS / NOTES		
					LN-11 TP2	LN-14 TP2	LN-18 TP2	LN-25 TP2	LN-35 TP2		LN-60 TP2	
12	12049862	ABRA. SINFIN. DIN.3017 W2.190-210L	COLLER. DIN.3017 W2.190-210L	DIN. 3017 W2.190-210L. CLAMP	-	-	-	-	-	1	2	
13	12009821	ANILLO SEGURIDAD 100 DIN 472	BAGUE DE SECURITE 100 DIN 472	LOCKING RING 100 DIN 472	1	1	-	-	-	-	-	
	12009802	ANILLO SEGURIDAD J110X4 DIN472	BAGUE DE SECURITE J110X4 DIN472	LOCKING RING J110X4 DIN472	-	-	1	-	-	-	-	
	12024901	ANILLO SEGURIDAD 125 DIN 472	BAGUE DE SECURITE 125 DIN 472	LOCKING RING 125 DIN 472	-	-	-	1	-	-	-	
	12049833	ANILLO SEGURIDAD 140X4 DIN 472	BAGUE DE SECURITE 140X4 DIN 472	LOCKING RING 140X4 DIN 472	-	-	-	-	1	-	-	
	12124798	ANILLO SEG. INT 190 DIN472-1	BAGUE DE SECURITE INT 190 DIN472-1	LOCKING RING 190 DIN-472	-	-	-	-	-	-	1	
14	12024842	RODAMIENTO 6211-2RS1C3	ROULEMENT 6211-2RS1C3	BEARING 6211-2RS1C3	1	1	-	-	-	-	-	
	12023445	RODAMIENTO 6214-2RS1	ROULEMENT 6214-2RS1	BEARING 6214-2RS1	-	-	-	1	-	-	-	
	12023448	RODAMIENTO 6214-2RS1	ROULEMENT 6214-2RS1	BEARING 6214-2RS1	-	-	-	-	1	-	-	
	12023428	RODAMIENTO 6312-2Z	ROULEMENT 6312-2Z	BEARING 6312-2Z	-	-	-	-	-	1	-	
	12087295	RODAMIENTO 6318 DDU (90X190X43)	ROULEMENT 6318 DDU (90X190X43)	BEARING 6318 DDU (90X190X43)	-	-	-	-	-	-	1	
15	12085450	SOP RODAMIENTOS MECANIZADO	SUPPORT DE ROULEMENTS	MECHANIZED BEARING SUPPORT	1	1	-	-	-	-	-	
	12085451	SOP RODAMIENTOS MECANIZADO	SUPPORT DE ROULEMENTS	MECHANIZED BEARING SUPPORT	-	-	1	-	-	-	-	
	12085452	SOP RODAMIENTOS MECANIZADO	SUPPORT DE ROULEMENTS	MECHANIZED BEARING SUPPORT	-	-	-	1	-	-	-	
	12085453	SOP RODAMIENTOS MECANIZADO	SUPPORT DE ROULEMENTS	MECHANIZED BEARING SUPPORT	-	-	-	-	1	-	-	
	12086461	SOP RODAMIENTOS MECANIZADO	SUPPORT DE ROULEMENTS	MECHANIZED BEARING SUPPORT	-	-	-	-	-	1	-	
	12009854	T. c/ hex. Fe. P.V. M16X60MM DIN931 10.9	T. c/ hex. Fe. P.V. M16X60MM DIN931 10.9	Tr. c/ hex. Fe. P.V. M16X60MM DIN931 10.9	9	9	9	9	9	9	9	
16	12024895	RODAMIENTO 6209-2ZC3	ROULEMENT 6209-2ZC3	BEARING 6209-2ZC3	1	1	-	-	-	-	-	
	12024886	RODAMIENTO 6210 DDU C3	ROULEMENT 6210 DDU C3	BEARING 6210 DDU C3	-	-	1	-	-	-	-	
	12023485	RODAMIENTO 6212-2RS1	ROULEMENT 6212-2RS1	BEARING 6212-2RS1	-	-	-	1	-	-	-	
	12023411	RODAMIENTO 6216-2RS1	ROULEMENT 6216-2RS1	BEARING 6216-2RS1	-	-	-	-	1	-	-	
	12087296	RODAMIENTO 6316 ZZ (80X170X39)	ROULEMENT 6316 ZZ (80X170X39)	BEARING 6316 ZZ (80X170X39)	-	-	-	-	-	-	1	
17	12009847	ANILLO SEG. INT. 85 DIN-472	BAGUE DE SECURITE INT. 85 DIN-472	LOCKING RING 85 DIN 472	1	1	-	-	-	-	-	
	12009858	ANILLO SEGURIDAD 90 DIN472	BAGUE DE SECURITE 90 DIN472	LOCKING RING 90 DIN 472	-	-	1	-	-	-	-	
	12009802	ANILLO SEGURIDAD J110X4 DIN472	BAGUE DE SECURITE J110X4 DIN472	LOCKING RING J110X4 DIN472	-	-	-	1	-	-	-	
	12009798	ANILLO SEG. INT 130 DIN-472	BAGUE DE SECURITE 130 DIN-472	LOCKING RING 130 DIN-472	-	-	-	-	1	-	-	
	12124794	ANILLO SEG. INT 170 DIN472-1	BAGUE DE SECURITE 170 DIN472-1	LOCKING RING 170 DIN-472	-	-	-	-	-	1	-	
18	12187783	POLEA TAMBOR	POULE TAMBOUR	DRUM PULLEY	1	1	-	-	-	-	-	
	12041189	POLEA TAMBOR	POULE TAMBOUR	DRUM PULLEY	-	-	1	1	1	1	1	
	12087956	POLEA TAMBOR	POULE TAMBOUR	DRUM PULLEY	-	-	-	-	-	-	1	
19	12023267	COHREA LE-18	COUURE LE-18	BELT LE-18	1	1	-	-	-	-	-	
	12186881	COHREA POL.Y.V.PJ 8 1854	COUURE POL.Y.V.PJ 8 1854	BELT POL.Y.V.PJ 8 1854	-	-	1	-	-	-	-	
	12023252	COHREA PJ 1854	COUURE PJ 1854	BELT PJ 1854	-	-	-	-	1	-	-	
	12046875	COHREA POL.Y.V.12PJ1992	COUURE POL.Y.V.12PJ1992	BELT POL.Y.V.12PJ1992	-	-	-	-	-	1	-	
	12089498	COHREA POL.Y.V.PK.2880	COUURE POL.Y.V.PK.2880	BELT POL.Y.V.PK.2880	-	-	-	-	-	-	1	
20	12021832	ARANDELA POLEA TAMBOR	RONDELLE POULE TAMBOUR	DRUM PULLEY WASHER	1	1	1	1	1	1	1	
	12114004	ARANDELA POLEA TAMBOR	RONDELLE POULE TAMBOUR	DRUM PULLEY WASHER	-	-	-	-	-	-	1	
	12009896	ARANDELA SEGURIDAD	RONDELLE DE SECURITE	LOCKING RING	1	1	1	1	1	1	1	
22	12185212	CUBA COMPLETA	COMPLETE CUBE	COMPLETE TUB	1	-	-	-	-	-	-	
	12187392	CUBA COMPLETA	COMPLETE CUBE	COMPLETE TUB	-	1	-	-	-	-	-	
	12187085	CUBA COMPLETA	COMPLETE CUBE	COMPLETE TUB	-	-	1	-	-	-	-	
	12188225	CUBA COMPLETA	COMPLETE CUBE	COMPLETE TUB	-	-	-	1	-	-	-	
	12185649	CUBA COMPLETA	COMPLETE CUBE	COMPLETE TUB	-	-	-	-	1	-	-	
	12087780	CUBA COMPLETA	COMPLETE CUBE	COMPLETE TUB	-	-	-	-	-	1	-	
22	12210615	CUBA SLUICE	SLUICE CUVE	SLUICE TUB	1	-	-	-	-	-	-	
	12210610	CUBA SLUICE	SLUICE CUVE	SLUICE TUB	-	1	-	-	-	-	-	

version SLUICE / version SLUICE / SLUICE version

ITEM	REF.	DENOMINACIÓN	DÉNOMINATION	DENOMINATION	LN-11 TP2 / LN-14 TP2 / LN-18 TP2 / LN-25 TP2 / LN-35 TP2 / LN-60 TP2					NOTAS / NOTES	
					LN-11 TP2	LN-14 TP2	LN-18 TP2	LN-25 TP2	LN-35 TP2		LN-60 TP2
22	12110498	CUBA SLUICE	SLUICE CUVE	SLUICE TUB	-	-	1	-	-	-	version SLUICE / version SLUICE / SLUICE version
	12191698	CUBA SLUICE	SLUICE CUVE	SLUICE TUB	-	-	1	-	-	-	
	12191699	CUBA SLUICE	SLUICE CUVE	SLUICE TUB	-	-	-	-	1	-	
23	12095096	CONJUNTO SONDA 64Kchm NTC	SONDE 64Kchm NTC	PROBE 64Kchm NTC	1	1	1	1	1	1	
24	12096927	TERMOSTATO DE SEGURIDAD	THERMOSTAT DE SECURITE	SAFETY THERMOSTAT	1	1	1	1	1	1	
25	12096226	RESISTENCIA 2000W 264MM	RESISTANCE 2000W 264MM	RESISTANCE 2000W 264MM	3	-	-	-	-	-	
	1209623	RESISTENCIA 3000W 277MM	RESISTANCE 3000W 277MM	RESISTANCE 3000W 277MM	-	3	-	-	-	-	
	12096051	RESISTENCIA 4000W 347MM	RESISTANCE 4000W 347MM	RESISTANCE 4000W 347MM	-	-	3	-	-	-	
	12041959	RESISTENCIA 6.000W 509MM	RESISTANCE 6.000W 509MM	RESISTANCE 6.000W 509MM	-	-	-	3	-	-	
	12092855	RESISTENCIA 7.000W 562MM	RESISTANCE 7.000W 562MM	RESISTANCE 7.000W 562MM	-	-	-	-	3	-	
	12024721	RESISTENCIA 220-240 V	RESISTANCE 220-240 V	RESISTANCE 220-240 V	-	-	-	-	-	3	
26	12004159	POLEA MOTOR	POLIE MOTEUR	ENGINE PULLEY	1	1	1	1	1	1	
	12097955	POLEA MOTOR	POLIE MOTEUR	ENGINE PULLEY	-	-	-	-	-	1	
27	12023195	MOTOR 230V AC 3 50/60Hz 1,1kW	MOTEUR 230V AC 3 50/60Hz 1,1kW	230V AC 3 50/60Hz 1,1kW ENGINE	1	1	-	-	-	-	
	12023194	MOTOR 230V AC 3 50/60Hz 2,2kW	MOTEUR 230V AC 3 50/60Hz 2,2kW	230V AC 3 50/60Hz 2,2kW ENGINE	-	-	1	-	-	-	
	12173195	MOTOR 230V AC 3 50/60Hz 3kW	MOTEUR 230V AC 3 50/60Hz 3kW	230V AC 3 50/60Hz 3kW ENGINE	-	-	-	1	-	-	
	12172751	MOTOR 230V AC 3 60Hz 4kW	MOTEUR 230V AC 3 60Hz 4kW	230V AC 3 60Hz 4kW ENGINE	-	-	-	-	1	-	
	12120185	MOTOR 5,5KW ARCELIK	MOTEUR 5,5KW ARCELIK	ARCELIK 5,5KW ENGINE	-	-	-	-	-	1	
28	12023919	TUBO SOPORTE MOTOR	TUBE SUPPORT MOTEUR	ENGINE SUPPORT TUBE	2	2	-	-	-	-	
	12023910	TUBO SOPORTE MOTOR	TUBE SUPPORT MOTEUR	ENGINE SUPPORT TUBE	-	-	2	2	-	-	
	12186669	TUBO SOPORTE MOTOR	TUBE SUPPORT MOTEUR	ENGINE SUPPORT TUBE	-	-	-	-	2	-	
29	12114100	SENSOR MAGNETICO 12V	CAPTEUR MAGNETIQUE	12V MAGNETIC SENSOR	1	1	1	1	1	1	
	12043164	CHAVETA TIPO A 10x8x30 DIN 6885	CLAVETTE TYPE A 10x8x30 DIN 6885	10x8x30 DIN 6885 A TYPE SHAFT KEY	1	1	-	-	-	-	
	12025213	CHAVETA TIPO A 14x9x50 DIN 6885	CLAVETTE TYPE A 14x9x50 DIN 6885	14x9x50 DIN 6885 A TYPE SHAFT KEY	-	-	1	1	1	-	
	12115159	CHAVETA TIPO A 20x12x63 DIN 6885	CLAVETTE TYPE A 20x12x63 DIN 6885	20x12x63 DIN 6885 A TYPE SHAFT KEY	-	-	-	-	-	1	
PLANO C (CONJUNTO HIDRÁULICO) / PLAN C (ENSAMBLE HIDRAULIQUE) / C DRAWING (HYDRAULIC ASSEMBLY)											
1	12024115	MANGUERA ENTRADA AGUA	FLEXIBLED'ENTREE	WATER INLET HOSE	3	3	3	3	3	3	
2	12023263	CONDUCTO DOSIFICADOR CUBA	CONDUIT DOSEUR CUBE	DISPENSER TO TUB PIPE	1	1	-	-	1	-	
	12025016	CONDUCTO DOSIFICADOR CUBA	CONDUIT DOSEUR CUBE	DISPENSER TO TUB PIPE	-	-	1	-	-	-	
	12025017	CONDUCTO DOSIFICADOR CUBA	CONDUIT DOSEUR CUBE	DISPENSER TO TUB PIPE	-	-	-	1	-	1	
3	12130844	CUERPO COLECTOR WRAS	CORPS COLLECTEUR WRAS	WRAS COLLECTOR BOX BODY	1	1	1	1	1	1	
4	12130861	TAPA COLECTOR WRAS	COUVERCLE COLLECTEUR WRAS	WRAS COLLECTOR BOX LID	1	1	1	1	1	1	
5	12130802	ENTRADA COLECTOR WRAS	ENTREE COLLECTEUR WRAS	WRAS COLLECTOR BOX INLET	1	1	1	1	1	1	
	12130892	ENTRADA COLECTOR WRAS	ENTREE COLLECTEUR WRAS	WRAS COLLECTOR BOX INLET	-	-	-	-	1	1	
6	12010403	TAPA 1	COUVERCLE 1	LID 1	1	1	1	1	1	1	
7	12000747	TAPA 2	COUVERCLE 2	LID 2	1	1	1	1	1	1	
8	12010483	EJE TAPAS	AXE COUVERCLES	LID SHAFT	2	2	2	2	2	2	
9	12000746	CUERPO SIFON	CORPS SIPHON	SIPHON BODY	2	2	2	2	2	2	
10	12010401	CUERPO RECIPIENTES	CORPS RECIPIENTS	CONTAINER BODY	1	1	1	1	1	1	
11	12010402	CUERPO RECIPIENTES 2	CORPS RECIPIENTS 2	CONTAINER BODY 2	1	1	1	1	1	1	
12	12091758	CONDUCTO REBOSADERO CUBETERA	CONDUIT DEVERSOR COLLECTEUR	TRAY OVERFLOW PIPE	1	-	-	-	-	-	
	12007856	CONDUCTO REBOSADERO CUBETERA	CONDUIT DEVERSOR COLLECTEUR	TRAY OVERFLOW PIPE	-	1	1	1	1	-	
	12007825	CONDUCTO REBOSADERO CUBETERA	CONDUIT DEVERSOR COLLECTEUR	TRAY OVERFLOW PIPE	-	-	-	-	-	1	
	12007811	CONDUCTO REBOSADERO CUBETERA	CONDUIT DEVERSOR COLLECTEUR	TRAY OVERFLOW PIPE	-	-	-	-	-	1	
	12115945	CONDUCTO REBOSADERO CUBETERA	CONDUIT DEVERSOR COLLECTEUR	TRAY OVERFLOW PIPE	-	-	-	-	-	1	
13	12091756	CONDUCTO CUBETERA	CONDUIT COLLECTEUR	TRAY PIPE	1	-	-	-	-	-	

LN-11 TP2 / LN-14 TP2 / LN-18 TP2 / LN-25 TP2 / LN-35 TP2 / LN-60 TP2

LAVADORAS DE CENTRIFUGADO ESTÁNDAR / LAVE-LINGE DE ESSORAGE STANDARD / STANDARD SPIN WASHER-EXTRACTORS

ITEM	REF.	DENOMINACIÓN	DÉNOMINATION	DENOMINATION	LN-11 TP2 / LN-14 TP2 / LN-18 TP2 / LN-25 TP2 / LN-35 TP2 / LN-60 TP2					NOTAS / NOTES	
					LN-11 TP2	LN-14 TP2	LN-18 TP2	LN-25 TP2	LN-35 TP2		LN-60 TP2
12007772		CONDUCTO CUBETERA	CONDUIT COLLECTEUR	TRAY PIPE	-	1	1	-	-	-	
12007783		CONDUCTO CUBETERA	CONDUIT COLLECTEUR	TRAY PIPE	-	-	-	1	-	-	
12007756		CONDUCTO CUBETERA	CONDUIT COLLECTEUR	TRAY PIPE	-	-	-	-	1	-	
12115344		CONDUCTO CUBETERA	CONDUIT COLLECTEUR	TRAY PIPE	-	-	-	-	-	1	
12023308		CONDUCTO SALIDA VAPOR	CONDUIT SORTIE DE VAPEUR	STEAM OUTLET HOSE	1	1	1	1	1	1	
12007766		CONDUCTO SALIDA VAPOR	CONDUIT SORTIE DE VAPEUR	STEAM OUTLET HOSE	-	-	-	-	-	1	
15	12128218	TAPON CUBA	BOUCHON CUIVE	TUB CAP	-	-	1	1	1	1	
16	★12134512	JUNTA TORICA PRESSOSTATO	JOINT TORIQUE PRESSOSTAT	PRESSURE CHAMBER O-RING	1	1	1	1	1	1	
17	★12134560	PRESSOSTATO CUBA	PRESSOSTAT CUIVE	TUB PRESSURE CHAMBER	1	1	1	1	1	1	
18	12023285	CONDUCTO REBOSADERO CUBA	CONDUIT SERVESSOIR CUIVE	TUB OVERFLOW PIPE	1	1	-	-	-	-	
	12023271	CONDUCTO REBOSADERO CUBA	CONDUIT SERVESSOIR CUIVE	TUB OVERFLOW PIPE	-	-	1	1	-	-	
	12024866	CONDUCTO REBOSADERO CUBA	CONDUIT SERVESSOIR CUIVE	TUB OVERFLOW PIPE	-	-	-	1	1	-	
	12024833	CONDUCTO REBOSADERO CUBA	CONDUIT SERVESSOIR CUIVE	TUB OVERFLOW PIPE	-	-	-	-	-	1	
18	12023218	CONDUCTO DESAGUE CUBA	TUYAU DECOULEMENT SLUICE	SLUICE DRAINAGE PIPE	1	1	1	1	1	1	
19	12025016	CONDUCTO DESAGUE CUBA	TUYAU DECOULEMENT CUIVE	TUB DRAINAGE PIPE	1	1	1	-	-	-	
	12007746	CONDUCTO DESAGUE CUBA	TUYAU DECOULEMENT CUIVE	TUB DRAINAGE PIPE	-	-	-	-	-	1	
	12025017	CONDUCTO DESAGUE CUBA	TUYAU DECOULEMENT CUIVE	TUB DRAINAGE PIPE	-	-	-	-	-	1	
20	★12137890	ELECTROV 230V AC 50/50 Hz	ELECTROVANNIE 230V AC 50/50 Hz	230V AC 50/50 Hz ELECTROV	1	1	1	1	1	1	nombrante/ABERTA/ nombrant QUERTE/ normally OPEN
	12137834	ELECTROV 230V AC 50/50 Hz	ELECTROVANNIE 230V AC 50/50 Hz	230V AC 50/50 Hz ELECTROV	1	1	1	1	1	1	nombrante/ABERTA/ nombrant QUERTE/ normally CLOSED
21	12001784	CONDUCTO SALIDA ELECTROV	CONDUIT SORTIE ELECTROVANNIE	DRAIN VALVE OUTLET PIPE	1	-	-	-	-	-	
	12046143	CONDUCTO SALIDA ELECTROV	CONDUIT SORTIE ELECTROVANNIE	DRAIN VALVE OUTLET PIPE	-	-	1	-	-	-	
	12046139	CONDUCTO SALIDA ELECTROV	CONDUIT SORTIE ELECTROVANNIE	DRAIN VALVE OUTLET PIPE	-	-	-	1	-	-	
	12046140	CONDUCTO SALIDA ELECTROV	CONDUIT SORTIE ELECTROVANNIE	DRAIN VALVE OUTLET PIPE	-	-	-	-	1	-	
	12007746	CONDUCTO SALIDA ELECTROV	CONDUIT SORTIE ELECTROVANNIE	DRAIN VALVE OUTLET PIPE	1	1	1	1	1	1	
22	12048868	SALIDA DESAGUE 3"	SORTIE DECOULEMENT 3"	3" DRAINAGE OUTLET	1	1	1	1	1	1	version SLUICE / version SLUICE / SLUICE version
22	12225725	SALIDA DESAGUE SLUICE	SORTIE DECOULEMENT SLUICE	SLUICE DRAINAGE OUTLET	1	1	1	1	1	1	
23	12025026	CONDUCTO SALIDA DESAGUE	CONDUIT DECOULEMENT	DRAINAGE PIPE	1	1	1	1	1	1	
	12024890	CONDUCTO SALIDA DESAGUE	CONDUIT DECOULEMENT	DRAINAGE PIPE	-	-	-	-	-	1	
24	12024839	TAPON CIERRE COMPLETO	BOUCHON FERMETURE ENTIER	COMPLETE CLOSURE CAP	2	2	2	2	2	2	
	12024808	TAPON CIERRE VAPOR	BOUCHON FERMETURE VAPEUR	STEAM CLOSURE CAP	1	1	1	1	1	1	
25	12021870	INECTOR VAPOR 8,13,18	INJECTEUR VAPEUR 8,13,18	STEAM JET 10,13,18	1	1	1	-	-	-	
	12021840	INECTOR VAPOR 25	INJECTEUR VAPEUR 25	STEAM JET 25, 35	-	-	-	-	-	1	
	12021528	INECTOR VAPOR 120 COMPL.	INJECTEUR VAPEUR 120	STEAM JET 120	-	-	-	-	-	1	
26	12025033	ARANDELA TEFLON 24X15X4	RONDELLE TEFLON	STEAM WASHER 24X15X4	4	4	4	4	4	4	
	12024365	ARANDELA TEFLON 24X15X4	RONDELLE TEFLON	STEAM WASHER 24X15X4	-	-	-	-	-	3	
27	12023461	LATIGUILLO VAP. 10-13-18 PLANO	FLEXBL E VAPEUR 10-13-18 PLAT	STEAM HOSE 10-13-18 PLAT	1	1	1	1	1	1	
	12023410	LATIGUILLO IZQUIERDO 25 PLANO	FLEXBL EGAUCHE 25 PLAT	LEFT STEAM HOSE 25 PLAT	-	-	-	-	-	1	
28	12008007	MANGUITO DOBLE 1/2	MANCHON DOBLE 1/2	1/2 DOUBLE CONNECTION	1	1	1	1	1	1	
	12024396	MANGUITO 3/4	MANCHON 3/4	3/4 CONNECTION	-	-	-	-	-	1	
29	★12023840	VALVULA VAPOR 1/2 50/60Hz	VALVE VAPEUR 1/2 50/60Hz	STEAM VALVE 1/2 50/60Hz	1	1	1	1	1	1	
	★12024331	VALVULA VAPOR 3/4 60Hz	VALVE VAPEUR 3/4 60Hz	STEAM VALVE 3/4 60Hz	-	-	-	-	-	1	
30	12021873	SOPORTE VALVULA DE VAPOR	SUPPORT VALVE VAPEUR	STEAM VALVE SUPPORT	1	1	1	1	1	1	
	12021899	SOPORTE VALVULA DE VAPOR 25	SUPPORT VALVE VAPEUR 25	STEAM VALVE SUPPORT 25	-	-	-	-	-	1	
	12023079	SOPORTE VALVULA DE VAPOR 3/4"	SUPPORT VALVE VAPEUR 3/4"	STEAM VALVE SUPPORT 3/4"	-	-	-	-	-	1	
31	12008219	RACOR 1-2	RACCORD 1-2	1-2 CONNECTION	1	1	1	1	1	1	
	12025034	ADAPTADOR 1 1/4 - 3/4	ADAPTATEUR 1 1/4 - 3/4	1 1/4 - 3/4 ADAPTER	-	-	-	-	-	1	

version a VAPOR / version a VAPEUR / STEAM version

LN-11 TP2 / LN-14 TP2 / LN-18 TP2 / LN-25 TP2 / LN-35 TP2 / LN-60 TP2

LAVADORAS DE CENTRIFUGADO ESTÁNDAR / LAVE-LINGE DE ESSORAGE STANDARD / STANDARD SPIN WASHER-EXTRACTORS

ITEM	REF.	DENOMINACIÓN	DÉNOMINATION	DENOMINATION	LN-11 TP2 / LN-14 TP2 / LN-18 TP2 / LN-25 TP2 / LN-35 TP2 / LN-60 TP2					NOTAS / NOTES	
					LN-11 TP2	LN-14 TP2	LN-18 TP2	LN-25 TP2	LN-35 TP2		LN-60 TP2
32	12009102	CODO LATON	RACCORD COUDE LATON	L-BEND	1	1	1	1	1	1	version a VAPOR / version à VAPEUR / STEAM version
	12028991	CODO M.H.3/4" LATON	RACCORD COUDE M.H.3/4" LATON	L-BEND M.H.3/4"	-	-	-	-	-	-	version a VAPOR / version à VAPEUR / STEAM version
33	12024930	MANGUERA VAPOR 10-13-18	FLEXIBLE VAPEUR 10-13-18	STEAM HOSE 10-13-18	1	1	1	1	1	1	version a VAPOR / version à VAPEUR / STEAM version
	12024929	MANGUERA VAPOR 25 PLANA	FLEXIBLE VAPEUR 25	FLAT STEAM HOSE 25	-	-	-	-	-	-	version a VAPOR / version à VAPEUR / STEAM version
	12028992	MANGUERA VAPOR PLANA 40-60	FLEXIBLE VAPEUR 40-60	FLAT STEAM HOSE 40-60	-	-	-	-	-	-	version a VAPOR / version à VAPEUR / STEAM version
34	12024939	TAPON CIERRE COMPLETO	BOUCHON FERMETURE ENTIER	COMPLETE CLOSURE CAP	3	3	3	3	3	3	version AQUA CALIENTE / version EAU CHAUDE / HOT WATER version

PLANO D (CUADRO ELÉCTRICO) / PLAN D (TABLEAU ÉLECTRIQUE) / D DRAWING (ELECTRIC BOARD)

1	★12157588	DISPLAY TP 7"	DISPLAY TP 7"	7" TP DISPLAY	1	1	1	1	1	1	
2	12165732	SOPORTE MAIN BOARD	SUPPORT MAIN BOARD	MAIN BOARD SUPPORT	1	1	1	1	1	1	
3	★12120295	SETA DE EMERGENCIA	BOUTON D'ARRÊT D'URGENCE	EMERGENCY STOP BUTTON	1	1	1	1	1	1	version PULSADOR DE EMERGENCIA / version BOUTON D'ARRÊT D'URGENCE / EMERGENCY PUSH BUTTON version
4	★12120298	SOPORTE SETA EMERGENCIA	SUPPORT BOUTON D'ARRÊT D'URGENCE	EMERGENCY STOP SUPPORT	1	1	1	1	1	1	
5	★12120237	PULSAD 250V AC 16A 1VA 2POS UL	BOUTON 250V AC 16A 1VA 2POS UL	250V AC 16A 1WAY 2POS UL SWITCH	1	1	1	1	1	1	
6	★12168923	TARJETA PRINCIPAL TP2	CARTE PRINCIPALE TP2	TP2 MAIN BOARD	1	1	1	1	1	1	
7	★12193973	CABLE USB MACHO-FEMEA	CÂBLE MÂLE-FEMELLE	USB WIRE MALE-FEMALE	1	1	1	1	1	1	
8	★1225906	VARIADOR DELTA PROGRAMADO	VARIABLEUR DELTA PROGRAMME	PROGRAMMED DELTA INVERTER	1	1	1	1	1	1	version para BARCO / version pour BATEAU / SHIP version
	12121595	VARIADOR DELTA PROGRAMADO BARCO	VARIABLEUR DELTA PROGRAMME	PROGRAMMED DELTA INVERTER	1	1	1	1	1	1	version para BARCO / version pour BATEAU / SHIP version
	1225909	VARIADOR DELTA PROGRAMADO	VARIABLEUR DELTA PROGRAMME	PROGRAMMED DELTA INVERTER	1	1	1	1	1	1	version para BARCO / version pour BATEAU / SHIP version
	12124489	VARIADOR DELTA PROGRAMADO BARCO	VARIABLEUR DELTA PROGRAMME	PROGRAMMED DELTA INVERTER	1	1	1	1	1	1	version para BARCO / version pour BATEAU / SHIP version
	1225962	VARIADOR DELTA PROGRAMADO	VARIABLEUR DELTA PROGRAMME	PROGRAMMED DELTA INVERTER	1	1	1	1	1	1	version para BARCO / version pour BATEAU / SHIP version
	1214502	VARIADOR DELTA PROGRAMADO BARCO	VARIABLEUR DELTA PROGRAMME	PROGRAMMED DELTA INVERTER	1	1	1	1	1	1	version para BARCO / version pour BATEAU / SHIP version
9	★1211795	CONTACTOR 230V AC 20A 4W4 UL	CONTACTEUR 230V AC 20A 4VOIES UL	230V AC 20A 4W4 UL CONTACTOR	2	2	2	2	2	2	
	★12024040	CONTACTOR SIRIUS 230V 50/60	CONTACTEUR SIRIUS 230V 50/60	230V 50/60 SIRIUS CONTACTOR	2	2	2	2	2	2	
10	★12024011	CONTACTOR 230V AC 16A 4W4 UL	CONTACTEUR 230V AC 16A 4A 4VOIES UL	230V AC 16A 4W4 UL CONTACTOR	1	1	1	1	1	1	
11	★12131903	MODULO PROCESADOR GRABADO	MODULE PROCESSEUR GRAVE	RECORDED PROCESSOR MODULE	1	1	1	1	1	1	
12	★12128282	SENSOR DE PRESION 50mbar	CAPTEUR DE PRESSION 50mbar	50mbar PRESSURE SENSOR	1	1	1	1	1	1	
13	★12024986	MICROINTERRUPTOR PULERIA	MICROINTERRUPTEUR PORTE	DOOR MICROSWITCH	1	1	1	1	1	1	
14	12118923	TRANSFORMADOR 1N 50W 240V/12V	TRANSFORMATEUR 1N 50W 240V/12V	1N 50W 240V/12V UL TRANSFORMER	1	1	1	1	1	1	
15	12024515	BOHNA TIERRA 35mm	BORNE TERRE 35mm	GROUND CONNECTOR 35MM	1	1	1	1	1	1	
16	12024514	BOHNA TIERRA AZUL 125A 35mm2 1VA UL	BORNE NEUTRE BLEUE 35mm2 1VA UL	BLUE NEUTRAL CONNECTOR 35MM2	1	1	1	1	1	1	
17	12024958	INTERRUPT. 32A 4VA 2POS SECC UL	COMMUTATEUR 32A 4VELE 2POS	32A 4WAY 2POS ISOLATOR SWITCH	1	1	1	1	1	1	
	12024928	INTERRUPT. 63A 3VA 2POS SECC UL	COMMUTATEUR 63A 3VELE 2POS	63A 3WAY 2POS ISOLATOR SWITCH	1	1	1	1	1	1	E
	12024959	INTERRUPT. 32A 4VA 2POS SECC UL	COMMUTATEUR 32A 4VELE 2POS	32A 4WAY 2POS ISOLATOR SWITCH	1	1	1	1	1	1	H/W, S, BARCO / BATEAU / SHIP
18	12025158	BOHNA PORTAHUSIBLE 6.3A 1 VA	BORNE PORTE-FUSIBLES 6.3A 1 VOIE	FUSE HOLDER CONNECTOR 6.3A	2	2	2	2	2	2	
19	12025180	REGLETA 2 PSOS 24A 2.50mm2 UL	BORNIER 2 ET AGES 24A 2.50mm2 UL	24A 2.50mm2 UL TERMINAL BLOCK	12	12	12	12	12	12	
20	12024199	TOPE FINAL	BUTEE	END STOP	1	1	1	1	1	1	
21	12009966	PRENESA ESTOPA DOSIFICACION	PRESSE-ÉTOUPE DOSAGE	DISPENSER STUFFING BOX	1	1	1	1	1	1	
22	12009927	PRENESA ESTOPA PG-21	PRESSE-ÉTOUPE PG-21	STUFFING BOX PG-21	1	1	1	1	1	1	
23	12009764	TUERCA ROSCA Pg 21	ECHOU PG 21	SCREW THREAD PG 21	1	1	1	1	1	1	
24	12009994	JUNTA GOMA (GAS)	JOINT CAOUTCHOUC	RUBBER SEAL	1	1	1	1	1	1	
25	12025278	FILTRO DE JUNTA N-3	FILTRE DE JOINT N-3	JOINT FILTER N-3	2	2	2	2	2	2	
26	12024986	Te A 90° 3/4	T 90° 3/4	T at 90° 3/4	1	1	1	1	1	1	
27	12024986	MANGUITO 3/4"	RACCORD 3/4"	3/4" CONNECTION	1	1	1	1	1	1	
28	★12029921	ELECTROVALVULA 3 VIAS	ELECTROVANNE 3 VOIES	3 WAY SOLENOID VALVE	1	1	1	1	1	1	
29	★12025161	ELECTROVALVULA SIMPLE	ELECTROVANNE SIMPLE	SIMPLE SOL ENOID VALVE	1	1	1	1	1	1	
30	★12023794	ELECTROVALVULA 2 VIAS	ELECTROVANNE 2 VOIES	2 WAY SOL ENOID VALVE	2	2	2	2	2	2	
A1	12120814	TARJETA AUXILIAR TP	CARTE AUXILIAIRE TP	TP AUXILIARY BOARD	1	1	1	1	1	1	DOSIFICACION EXTRA / DOSAGE EXTRA / EXTRA DOSING

ITEM	REF.	DENOMINACIÓN	DÉNOMINATION	DENOMINATION	LN-11 TP2 / LN-14 TP2 / LN-18 TP2 / LN-25 TP2 / LN-35 TP2 / LN-60 TP2						NOTAS / NOTES	
					LN-11 TP2	LN-14 TP2	LN-18 TP2	LN-25 TP2	LN-35 TP2	LN-60 TP2		
A2	12025280	DISTANCIADOR M3	ENTRETOISE M3	M3 SPACER	4	4	4	4	4	4		
A3	12120234	SOPORTE	SUPPORT	M3 SPACER	1	1	1	1	1	1		
A4	12025180	REGLETA 2 PISOS 24x 2,50mm ² UL	BORNIER 2 ETAGES 24x 2,50mm ² UL	24x 2,5MM ² UL TERMINAL BLOCK	6	6	6	6	6	6		DOSIFICACION EXTRA / DOSAGE EXTRA / EXTRA DOSING
B1	12151431	CONTROL TARJETA 230V AC 50/60Hz 1FEL	CONTROL E-CARTRE 230V AC 50/60Hz 1FEL	230V AC 50/60Hz 1FEL BOARD CONTROL	1	1	1	1	1	1		DOSIFICACION EXTRA / DOSAGE EXTRA / EXTRA DOSING
B2	12025280	DISTANCIADOR M3	ENTRETOISE M3	M3 SPACER	4	4	4	4	4	4		UNLOCK

PLANO E (CUADRO ELÉCTRICO) / PLANE E (TABLEAU ÉLECTRIQUE) / E DRAWING (ELECTRIC BOARD)

1	★12157588	DISPLAY TP 7"	DISPLAY TP 7"	7" TP DISPLAY	-	-	-	-	-	-	1	1	1	1	1	
2	12165732	SOPORTE MAIN BOARD	SUPPORT MAIN BOARD	MAIN BOARD SUPPORT	-	-	-	-	-	-	1	1	1	1	1	
3	★12120235	SETA DE EMERGENCIA	BOUTON D'URGENCE	EMERGENCY STOP BUTTON	-	-	-	-	-	-	1	1	1	1	1	versión PULSADOR DE EMERGENCIA / version BOUTON D'URGENCE / EMERGENCY PUSH BUTTON version
4	★12120238	SOPORTE SETA EMERGENCIA	SUPPORT BOUTON D'URGENCE	EMERGENCY STOP SUPPORT	-	-	-	-	-	-	1	1	1	1	1	
5	★12120237	PULSAD. 250V AC 16A 1VIA 2POS UL	BOUTON 250V AC 16A 1VOIE 2POS UL	250V AC 16A 1WAY 2POS UL SWITCH	-	-	-	-	-	-	1	1	1	1	1	
6	★12169823	TARJETA PRINCIPAL TP2	CARTE PRINCIPALE TP2	TP2 MAIN BOARD	-	-	-	-	-	-	1	1	1	1	1	
7	★12139373	CABLE USB MACHO-FEMEA	CABLE MALE-FEMELLE	USB WIRE MALE-FEMALE	-	-	-	-	-	-	1	1	1	1	1	
8	12225363	VARIADOR DELTA PROGRAMADO	VARIABLEUR DELTA PROGRAMME	PROGRAMMED DELTA INVERTER	-	-	-	-	-	-	1	1	1	1	1	versiones 230V / versions 230V / 230V versions
8	12214505	VARIADOR DELTA PROGRAMADO	VARIABLEUR DELTA PROGRAMME	PROGRAMMED DELTA INVERTER	-	-	-	-	-	-	1	1	1	1	1	versiones 400V / versions 400V / 400V versions
	12225364	VARIADOR DELTA PROGRAMADO	VARIABLEUR DELTA PROGRAMME	PROGRAMMED DELTA INVERTER	-	-	-	-	-	-	1	1	1	1	1	versiones 230V / versions 230V / 230V versions
	12214508	VARIADOR DELTA PROGRAMADO	VARIABLEUR DELTA PROGRAMME	PROGRAMMED DELTA INVERTER	-	-	-	-	-	-	1	1	1	1	1	versiones 400V / versions 400V / 400V versions
	12226306	VARIADOR DELTA PROGRAMADO	VARIABLEUR DELTA PROGRAMME	PROGRAMMED DELTA INVERTER	-	-	-	-	-	-	1	1	1	1	1	versiones 230V / versions 230V / 230V versions
9	★12041014	CONTACTOR 230V AC 40A 4WV UL	CONTACTEUR 230V AC 40A 4VOIES UL	230V AC 40A 4WAY UL CONTACTOR	-	-	-	-	-	-	2	2	2	2	2	versiones 400V / versions 400V / 400V versions
10	★12024011	CONTACTOR 230V AC 16A 4WV UL	CONTACTEUR 230V AC 16A 4VOIES UL	230V AC 16A 4WAY UL CONTACTOR	-	-	-	-	-	-	1	1	1	1	1	
11	★12131303	MODULO PROCESADOR GRABADO	MODULE PROCESSEUR GRAVE	RECORDED PROCESSOR MODULE	-	-	-	-	-	-	1	1	1	1	1	
12	★12128282	SENSOR DE PRESION 50mbar	CAPTEUR DE PRESSION 50mbar	50mbar PRESSURE SENSOR	-	-	-	-	-	-	1	1	1	1	1	
13	★12128283	SENSOR DE PRESION 100mbar	CAPTEUR DE PRESSION 100mbar	100mbar PRESSURE SENSOR	-	-	-	-	-	-	1	1	1	1	1	
14	★12024966	MICROINTERRUPTOR PUERTA	MICROINTerrupteur PORTE	DOOR MICROSWITCH	-	-	-	-	-	-	1	1	1	1	1	
14	★12116823	TRANSFORMADOR 1N 50W 240V/12V	TRANSFORMATEUR 1N 50W 240V/12V	1N 50W 240V/12V UL TRANSFORMER	-	-	-	-	-	-	1	1	1	1	1	
15	★12024515	BORNA TIERRA 35mm ²	BORNE TERRE 35mm ²	GROUND CONNECTOR 35mm ²	-	-	-	-	-	-	1	1	1	1	1	
16	12025143	BORNA NEUTRA AZUL 35mm ² 1VIA UL	BORNE NEUTRE BLEUE 35mm ² 1VOIE UL	BLUE NEUTRAL CONNECTOR 35mm ²	-	-	-	-	-	-	1	1	1	1	1	
17	12024568	INTERRUPT. 32A 4VIA 2POS SECCO UL	COMMUTATEUR 32A 4VIELE 2POS	32A 4WAY 2POS ISOLATOR SWITCH	-	-	-	-	-	-	1	1	1	1	1	HW, S (MONOFÁSICO) / MONOPHASE / SINGLE-PHASE
	12024628	INTERRUPT. 63A 3VIA 2POS SECCO UL	COMMUTATEUR 63A 3VIELE 2POS	63A 3WAY 2POS ISOLATOR SWITCH	-	-	-	-	-	-	1	1	1	1	1	E, HW, S (TRIFÁSICO) / TRIPHASE / 3-PHASE
18	12025158	BORNA PORTAFUSIBLE 6,3A 1 VIA	BORNE PORTE-FUSIBLES 6,3A 1 VOIE	FUSE HOLDER CONNECTOR 6,3A	-	-	-	-	-	-	2	2	2	2	2	
19	12025180	REGLETA 2 PISOS 24x 2,50mm ² UL	BORNIER 2 ETAGES 24x 2,50mm ² UL	24x 2,5MM ² UL TERMINAL BLOCK	-	-	-	-	-	-	12	12	12	12	12	red TRIFÁSICO / réseau TRIPHASE / 3-PHASE network
20	12024199	TOPE FINAL	BUTÉE	END STOP	-	-	-	-	-	-	1	1	1	1	1	
21	12009966	PRENSA ESTOPA DOSIFICACION	PRESSE-ÉTOUPE DOSAGE	DISPENSER STUFFING BOX	-	-	-	-	-	-	1	1	1	1	1	
22	12009927	PRENSA ESTOPA PG-21	PRESSE-ÉTOUPE PG-21	STUFFING BOX PG-21	-	-	-	-	-	-	1	1	1	1	1	
23	12009764	TUERCA ROSCA Pg 21	ECHOU Pg 21	SCREW THREAD Pg 21	-	-	-	-	-	-	1	1	1	1	1	
24	12009994	JUNTA GOMA (GAS)	JOINT CAOUTCHOUC	FLUEBER-SEAL	-	-	-	-	-	-	1	1	1	1	1	
25	12025278	FILTRO DE JUNTAN-3	FILTRE DE JOINT N-3	JOINT FILTER N-3	-	-	-	-	-	-	2	2	2	2	2	
26	12024966	16 x 90° 3/4"	T 90° 3/4"	T at 90° 3/4"	-	-	-	-	-	-	2	2	2	2	2	
27	12024966	MANGUITO 3/4"	RACCORD 3/4"	3/4" CONNECTION	-	-	-	-	-	-	5	5	5	5	5	
28	★12023921	ELECTROVALVULA 3 VIAS	ELECTROVANNE 3 VOIES	3 WAY SOLENOID VALVE	-	-	-	-	-	-	1	1	1	1	1	
29	★12025161	ELECTROVALVULA SIMPLE	ELECTROVANNE SIMPLE	SIMPLE SOLENOID VALVE	-	-	-	-	-	-	1	1	1	1	1	
30	★12023551	ELECTROVALVULA SIMPLE	ELECTROVANNE SIMPLE	SIMPLE SOLENOID VALVE	-	-	-	-	-	-	3	3	3	3	3	
31	★12024822	BOBINADO EV SIMPLE	BOBINAGE EV SIMPLE	SIMPLE SOLENOID VALVE COIL	-	-	-	-	-	-	3	3	3	3	3	
32	12024828	EMPALME	RACCORD	FITTING	-	-	-	-	-	-	3	3	3	3	3	

ITEM	REF.	DENOMINACIÓN	DÉNOMINATION	DENOMINATION						NOTAS / NOTES			
				LN-11 TP2	LN-14 TP2	LN-18 TP2	LN-25 TP2	LN-35 TP2	LN-60 TP2				
33	12025082	RACOR PORTA FILTRO 3/4	RACCORR PORTIFILTRE 3/4										
34	12024106	VENTILADOR 230V AC 1N 36kW	VENTILATEUR 230V AC 1N 36kW	FAN 230V AC 1N 36kW									
A1	12120814	TARJETA AUXILIAR TP	CARTE AUXILIAIRE TP	TP AUXILIARY BOARD									
A2	12025260	DISTRIBUIDOR M3	ENTREPOSE M3	M3 SPACER									
A3	12129234	SOFORTE	SUPPORT	SUPPORT									
A4	12025180	REGLETA 2 PISOS 24A 2,50mm2 UL	BORNIER 2 ETAGES 24A 2,50mm2 UL	24A 2,5mm ² UL TERMINAL BLOCK									
B1	12151431	CONTROL TARJETA 230V AC 50/60 Hz 1FEL	CONTROLE CARTE 230V AC 50/60Hz 1FEL	230V AC 50/60Hz 1FEL BOARD CONTROL									
B2	12025280	DISTRIBUIDOR M3	ENTREPOSE M3	M3 SPACER									

PLANO F (MONEDERO) / PLAN F (PORTA-MONNAIE) / E DRAWING (COIN SLOT KIT)

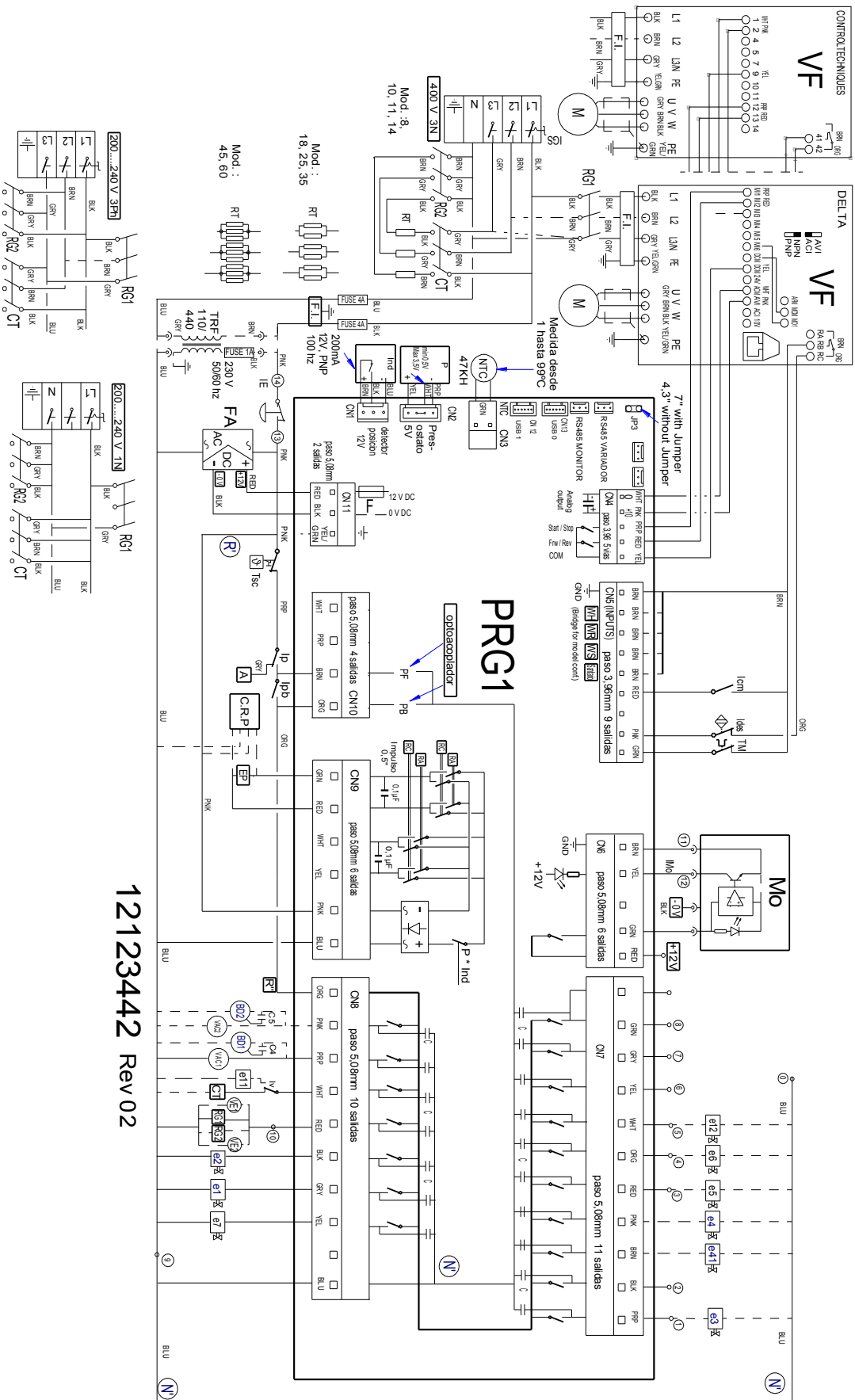
1	12041853	ADHESIVO MONEDERO	ADHÉSIF PORTA-MONNAIE	COIN SLOT STICKER										version MONEDERO / version PORTA-MONNAIE / COIN SLOT version
1	12041854	ADHESIVO CP NEGRO	ADHÉSIF CP NOIR	BLACK CP STICKER										version CENTRAL DE PAGO / version CENTRALE DE PAIEMENT / PAY STATION version
2	12007778	ETIQUETA INSTRUCCIONES COIN	ÉTIQUETTE INSTRUCTIONS COIN	COIN INSTRUCTIONS LABEL										version
2	12130834	CHAPA MONEDERO COMPL.	TÔLE PORTA-MONNAIE	COIN SLOT PLATE COMPL.										version MONEDERO / version PORTA-MONNAIE / COIN SLOT version version CENTRAL DE PAGO / version CENTRALE DE PAIEMENT / PAY STATION version
2	12139105	TAPA CENTRAL DE PAGO	TÔLE CENTRALE DE PAIEMENT	PAY STATION PLATE										version
3	12182010	XL 8" MONEY BOX - FLAT FACE (71630-XD) A	XL 8" MONEY BOX - FLAT FACE (71630-XD) A	XL 8" MONEY BOX - FLAT FACE (71630-XD) A										
	12182011	XL 8" MONEY BOX - FLAT FACE (71630-XD) B	XL 8" MONEY BOX - FLAT FACE (71630-XD) B	XL 8" MONEY BOX - FLAT FACE (71630-XD) B										
	12182012	XL 8" MONEY BOX - FLAT FACE (71630-XD) C	XL 8" MONEY BOX - FLAT FACE (71630-XD) C	XL 8" MONEY BOX - FLAT FACE (71630-XD) C										
	12182013	XL 8" MONEY BOX - FLAT FACE (71630-XD) D	XL 8" MONEY BOX - FLAT FACE (71630-XD) D	XL 8" MONEY BOX - FLAT FACE (71630-XD) D										
	12182014	XL 8" MONEY BOX - FLAT FACE (71630-XD) E	XL 8" MONEY BOX - FLAT FACE (71630-XD) E	XL 8" MONEY BOX - FLAT FACE (71630-XD) E										
	12182015	XL 8" MONEY BOX - FLAT FACE (71630-XD) F	XL 8" MONEY BOX - FLAT FACE (71630-XD) F	XL 8" MONEY BOX - FLAT FACE (71630-XD) F										
	12182016	XL 8" MONEY BOX - FLAT FACE (71630-XD) G	XL 8" MONEY BOX - FLAT FACE (71630-XD) G	XL 8" MONEY BOX - FLAT FACE (71630-XD) G										
	12182017	XL 8" MONEY BOX - FLAT FACE (71630-XD) H	XL 8" MONEY BOX - FLAT FACE (71630-XD) H	XL 8" MONEY BOX - FLAT FACE (71630-XD) H										
	12182018	XL 8" MONEY BOX - FLAT FACE (71630-XD) I	XL 8" MONEY BOX - FLAT FACE (71630-XD) I	XL 8" MONEY BOX - FLAT FACE (71630-XD) I										
	12182019	XL 8" MONEY BOX - FLAT FACE (71630-XD) J	XL 8" MONEY BOX - FLAT FACE (71630-XD) J	XL 8" MONEY BOX - FLAT FACE (71630-XD) J										
4	12130837	PORTACAJAS MONEDAS	PORTE-BOITE DE MONNAIE	COIN BOX HOLDER COMPL.										
5	12023942	MONEDERO WH (EUR-GBP)	PORTA-MONNAIE WH (EUR-GBP)	COIN SLOT WH (EUR-GBP)										version MONEDERO / version PORTA-MONNAIE / COIN SLOT version
	12044494	MONEDERO WH (ARS-CLP-BRL)	PORTA-MONNAIE WH (ARS-CLP-BRL)	COIN SLOT WH (ARS-CLP-BRL)										
	12044490	MONEDERO WH (AUD-NZD-JPY)	PORTA-MONNAIE WH (AUD-NZD-JPY)	COIN SLOT WH (AUD-NZD-JPY)										
	12044488	MONEDERO WH (CNY-TWD-HKD)	PORTA-MONNAIE WH (CNY-TWD-HKD)	COIN SLOT WH (CNY-TWD-HKD)										
	12044486	MONEDERO WH (MAD-DZD-TND)	PORTA-MONNAIE WH (MAD-DZD-TND)	COIN SLOT WH (MAD-DZD-TND)										
	12044489	MONEDERO WH (MYR-SGD-IDR)	PORTA-MONNAIE WH (MYR-SGD-IDR)	COIN SLOT WH (MYR-SGD-IDR)										
	12181342	MONEDERO WH (MYR-SGD-IDR) IDR II	PORTA-MONNAIE WH (MYR-SGD-IDR) IDR II	COIN SLOT WH (MYR-SGD-IDR) IDR II										
	12044492	MONEDERO WH (RUB-HOB-CZK)	PORTA-MONNAIE WH (RUB-HOB-CZK)	COIN SLOT WH (RUB-HOB-CZK)										
	12044491	MONEDERO WH (TRY-PLN)	PORTA-MONNAIE WH (TRY-PLN)	COIN SLOT WH (TRY-PLN)										
	12044487	MONEDERO WH (USD-MXN-CAD)	PORTA-MONNAIE WH (USD-MXN-CAD)	COIN SLOT WH (USD-MXN-CAD)										
12044489	MONEDERO WH (VEF-PEN-COP)	PORTA-MONNAIE WH (VEF-PEN-COP)	COIN SLOT WH (VEF-PEN-COP)											
12181119	SELECTOR FICHAS F97A-W6000-112-D	SELECTEUR DE JETON F97A-W6000-112-D	TKEN SELECTOR F97A-W6000-112-D											
12048622	CABLEADO MONEDERO EMP 500	CABLAGE PORTA-MONNAIE EMP 500	COIN SLOT EMP 500 WIRING											

19059022	KIT MONEDERO NEGRO EUR-GBP	KIT PORTA-MONNAIE NOIR EUR-GBP	BLACK COIN SLOT KIT EUR-GBP										
19059023	KIT MONEDERO NEGRO USA+MEX+CAN	KIT PORTA-MONNAIE NOIR USA+MEX+CAN	BLACK COIN SLOT KIT USA+MEX+CAN										
19059024	KIT MONEDERO NEGRO CNY-TWD-HKD	KIT PORTA-MONNAIE NOIR CNY-TWD-HKD	BLACK COIN SLOT KIT CNY-TWD-HKD										
19059025	KIT MONEDERO NEGRO AUD-NZD-JPY	KIT PORTA-MONNAIE NOIR AUD-NZD-JPY	BLACK COIN SLOT KIT AUD-NZD-JPY										
19059026	KIT MONEDERO NEGRO TRY-PLN	KIT PORTA-MONNAIE NOIR TRY-PLN	BLACK COIN SLOT KIT TRY-PLN										
19059027	KIT MONEDERO NEGRO RUB-HOB-CZK	KIT PORTA-MONNAIE NOIR RUB-HOB-CZK	BLACK COIN SLOT KIT RUB-HOB-CZK										

LN-11 TP2 / LN-14 TP2 / LN-18 TP2 / LN-25 TP2 / LN-35 TP2 / LN-60 TP2

LAVADORAS DE CENTRIFUGADO ESTÁNDAR / LAVE-LINGE DE ESSORAGE STANDARD / STANDARD SPIN WASHER-EXTRACTORS

ITEM	REF.	DENOMINACIÓN	DÉNOMINATION	DENOMINATION	LN-11 TP2	LN-14 TP2	LN-18 TP2	LN-25 TP2	LN-35 TP2	LN-60 TP2	NOTAS / NOTES
KIT	19059028	KIT MONEDERO NEGRO MYR-SGD-IDR I	KIT PORTA-MONNAIE NOIR MYR-SGD-IDR I	BLACK COIN SLOT KIT MYR-SGD-IDR I							
	19059029	KIT MONEDERO NEGRO ARS-CLP-BRL	KIT PORTA-MONNAIE NOIR ARS-CLP-BRL	BLACK COIN SLOT KIT ARS-CLP-BRL							
	19059030	KIT MONEDERO NEGRO VEF-PBN-COP	KIT PORTA-MONNAIE NOIR VEF-PBN-COP	BLACK COIN SLOT KIT VEF-PBN-COP							
	19059031	KIT MONEDERO NEGRO MAD-DZD-TND	KIT PORTA-MONNAIE NOIR MAD-DZD-TND	BLACK COIN SLOT KIT MAD-DZD-TND							
	19059032	KIT MONEDERO NEGRO KRW-PHP-THB	KIT PORTA-MONNAIE NOIR KRW-PHP-THB	BLACK COIN SLOT KIT KRW-PHP-THB							
	19059033	KIT MONEDERO NEGRO MYR-SGD-IDR II	KIT PORTA-MONNAIE NOIR MYR-SGD-IDR II	BLACK COIN SLOT KIT MYR-SGD-IDR II							
	19059034	KIT MONEDERO NEGRO MECANICO FICHAS	KIT PORTA-MONNAIE NOIR MECANICO FICHAS	MECHANIC BLACK COIN SLOT KIT TOKENS							
	19059035	KIT MONEDERO NEGRO MECANICO EUR	KIT PORTA-MONNAIE NOIR MECANICO EUR	MECHANIC BLACK COIN SLOT KIT EUR							
	19059735	KIT CENTRAL DE PAGO NEGRO	KIT CENTRALE DE PAVEMENT NOIR	BLACK PAVEMENT CENTRAL KIT							
VARIOS / DIVERS / MISCELLANEOUS											
	12120261	INSTAL. ELECTRICA 10, 13, 18, 25 UL	INSTALL. ELECTRIQUE 10, 13, 18, 25 UL	ELECT. INSTALLATION 10, 13, 18, 25	1	1	1	1	1	1	
	12120257	INSTAL. ELECTRICA 35A, 60B UL	INSTALL. ELECTRIQUE 35A, 60B UL	ELECT. INSTALLATION 35A, 60B UL	-	-	-	-	-	1	
	12121936	CABL. CALENTAMIENTO AF 10, 13 UL	CABLE CHAUFFAGE AF10, 13KG UL	HEATING WIRING AF 10, 13 UL	1	1	1	1	1	1	
	12121907	CABL. CALENTAMIENTO AF 18 KG UL	CABLE CHAUFFAGE AF 18 KG UL	HEATING WIRING AF 18 KG UL	-	-	-	-	-	-	
	12121901	CABL. CALENTAMIENTO AF 25 KG UL	CABLE CHAUFFAGE AF 25 KG UL	HEATING WIRING AF 25 KG UL	-	-	-	-	1	-	version ELECTRICA / version ELECTRIQUE / ELECTRIC version
	12121893	CABL. CALENTAMIENTO AF 35 KG UL	CABLE CHAUFFAGE AF 35 KG UL	HEATING WIRING AF 35 KG UL	-	-	-	-	-	1	
	12120289	CABLEADO RESISTENCIAS 60 B UL	CABLE CHAUFFAGE 60 kg UL	HEATING WIRING AF 60 KG UL	-	-	-	-	-	1	
	12120269	CABLEADO VALVULA VACIADO UL	CABLE DE VIDANGE	UL DRAIN VALVE WIRING	1	1	1	1	1	1	
	12129296	CABLEADO PUERTA UL	CABLAGE PORTE UL	UL DOOR WIRING	1	1	1	1	1	1	
	12025067	CABLEADO ELECTR VALV VAPOR	CABLAGE ELEC. VANNE VAPEUR	STEAM VALVE ELECTRIC WIRING	1	1	1	1	1	1	version a VAPOR / version a VAPEUR / STEAM version
	12046074	CABLEADO PROLONGADOR SENSOR VIBRACION	CABLAGE PROLONGATEUR CAPTEUR VIBRATION	VIBRATION SENSOR LENGTHENING WIRING	1	1	1	1	1	1	



12123442 Rev 02

ESQUEMA ELÉCTRICO / SCHEMA ÉLECTRIQUE / WIRING DIAGRAM

2019-04

Simb / LENG		ESPAÑOL	ENGLISH	FRANÇAIS
1 ...8	=	Puntos conexión dosificadores.	Feeder connection points	Points raccordement doseurs
1 , e3	=	Electro válvula Prelavado.	Pre-wash electrically operated valve	Électrovanne Prélavage
2	=	Dosificador Lavado	Wash feeder	Doseur Laver
3 , e5	=	Electro válvula Lejía.	Bleach electrically operated valve.	Électrovanne Eau de Javel
4, e6	=	Electro válvula Suavizante.	Fabric softener electrically operated valve	Électrovanne Assouplissant
5 , e12	=	Dosificador Neutralizante.	Neutralizer feeder	Doseur Neutralisant
6	=	Dosificador jabon liquido.	Liquid soap feeder	Doseur lessive liquide
7,8,13,14,15,16,17,18	=	Dosificador aditivos.	Additive feeder	Doseur additifs
9 - 10	=	Lavadora Ocupada	Washer Busy	Laveuse Occupé
11 - 12	=	Entrada moneda	Coin inputs	Entrées Monnaies
BD1, BD2	=	Bomba de Desague	Drain Pump	Pompe de vidange
Bt1, Bt2, Bt3	=	Bomba de vaciado de tanque externo W REC	Drain Pump external tank W REC	Pompe de vidange de réservoir externe W REC
C1, C2, C3, C4, C5	=	Condensador	Capacitor	Condensateur
CT	=	Contacto Calentamiento	Heating Contactor	Contacteur Chauffe
CRP	=	Circuito Retardo Apertura de Puerta	Delay circuit Door Open	Le circuit de retard d'ouverture de porte
D.T.	=	Display/Teclado	Display/Keyboard	Écran/Clavier
e1	=	Electro válvula agua Fría.	Cold water electrically operated valve	Électrovanne eau Froide
e11	=	Electro válvula Vapor.	Steam electrically operated valve	Électrovanne Vapeur
e2	=	Electro válvula agua Caliente	Hot water electrically operated valve	Électrovanne eau Chaude
e4	=	Electro válvula Lavado agua Fría	Cold water Washing electrically operated valve	Électrovanne lavage à l'eau froide
e41	=	Electro válvula Lavado agua Caliente	Hot water Washing electrically operated valve	Électrovanne lavage à l'eau chaude
e7	=	Electro válvula agua Descalcificada	Delimed water electrically operated valve	Électrovanne eau Adoucie
EB	=	Electro válvula de aire Basculacion Trasera	Air Valve of the Back Tilting	Soupape à air de l'inclinaison arrière
EF	=	Electro válvula de aire Basculacion Frontal	Air Valve of the Front Tilting	Soupape à air de l'inclinaison avant
EP	=	Electroímán de Puerta	Door electric magnet	Électro-aimant de Porte
F	=	Fusible.	Fuse	Fusible
FA	=	Fuente Alimentacion	Power Supply	Source De Courant
FI	=	Filtro de Interferencias.	Interference filter	Filtre Anti-parasites
G1, G2, G3, G4	=	Galgas para Pesaje	Gauges for Weighing	Jauges de peser
IB	=	Interruptor Basculacion Trasero del Mando.	Back Tilting Switch of Control	Commutateur de inclinaison arrière de commande
Icm	=	Interruptor de Servicio	Service Switch	Interrupteur de Service
Ides	=	Interruptor de desequilibrio.	Unbalance switch	Interrupteur de balourd
Idrch	=	Interruptor Rotacion a Derechas del Mando	Switch of Spins to the Right of Control	Commutateur des rotations à la droite de la commande
IE	=	Pulsador Parada de emergencia.	Emergency stop push button	Bouton-poussoir Arrêt d'urgence
IF	=	Interruptor Basculacion Frontal Mando.	Front Tilting Switch of Control	Front Tilting Switch of Contrôle
IG	=	Interruptor general.	Power On	Interrupteur général
IGS	=	Interruptor General de seguridad.	Disconnect Switch	interrupteur Général de sécurité
Iizq	=	Interruptor Rotacion a Izquierdas Mando	Switch of Left Spin of Control	Commutateur de rotation gauche de commande
Im	=	Sensor de movimiento	Stopped Motion Switch	Détecteur D'arrêt
Imv	=	Accionamiento de Movimiento / Mando	Drive Motion / Command	Mouvement de route / Command
IMo	=	Interruptor Monedero.	MMO Coin Input	Interrupteur Monnayeur
Ind	=	Sensor Inductivo	Inductive sensor	Capteur inductif
Ip	=	Interruptor puerta Cerrada.	Closed door switch	Interrupteur porte Fermée
Ipb	=	Interruptor puerta bloqueada.	Door lock switch	Interrupteur porte verrouillée
IPE 50	=	Control para pesaje	Weight control	Contrôler pour peser
Iremj	=	Interruptor de Remojo del Mando	Soaking Switch of Control	Commutateur de trempage de commande
Iv	=	Interruptor Vapor	Steam Switch	Commutateur de vapeur
M	=	Motor.	Motor	Moteur
MB	=	Interruptor seguridad Basculacion Trasero.	Back Tilting Hi-limit Switch	Interrupteur de sécurité arrière inclinable.
MF	=	Interruptor seguridad Basculacion Frontal.	Front Tilting Hi-limit Switch	Interrupteur de sécurité Frontale inclinable.
Mo	=	Monedero.	coin meter pwr 24vac	Porte-monnaie
N1, N2, N3	=	Interruptor de nivel W REC	Water Level Switch W REC	Interrupteur de niveau d'eau W REC
NTC	=	Sensor temperatura.	Temperature sensor	Capteur température
P, P2	=	Presostato Nivel de agua	Water Level Switch	Détecteur de niveau d'eau
PB	=	Presostato Basculacion Trasero	Back Tilting Air Pressure Low-Limit	Pressostat inclinaison arrière
PF	=	Presostato Basculacion Frontal	Front Tilting Air Pressure Low-Limit	Pressostat inclinaison Frontale
PRG	=	Circuito Programador.	Input/Output Board	Circuit Programmeur
PTC	=	PTC	PTC	PTC
R	=	Resistencia Homica	Ohmic resistance	Résistance ohmique
RG1, RG2	=	Contacto General	General Contactor	Contacteur général
Rm	=	Rele movimiento / Parada	Stopped Motion Relay	Relais Détecteur D'arrêt
Rmo	=	Rele de Monedero	Coin meter relay	Relais de Porte-monnaie
Rp	=	Rele puerta Cerrada.	Closed door Relay	Relais porte Fermée
Rpb	=	Rele puerta bloqueada.	Door lock Relay	Relais porte verrouillée
RT	=	Resistencia Calentamiento.	Heating Elements	Résistance Chauffe
Tm	=	Térmico de Motor.	Motor Thermal Overload	Thermique du Moteur
Trf	=	Transformador	Transformer	Transformateur
Trf s/N	=	Transformador Versión sin Neutro.	Transformer Version without Neutral	Transformateur Version sans Neutre
Tsc	=	Termostato seguridad calentamiento	Hi-limit Thermostat	Thermostat Limiteur
VAC1, VAC2	=	Válvula Vaciado	Drain Valve	Vanne Vidange
VE, VE1, VE2	=	Ventilador.	Fan	Ventilateur
VF	=	Convertidor de Frecuencia.	Variable Frequency Drive	Convertisseur de Fréquence
VM	=	Ventilador Motor.	Fan motor	Ventilateur Moteur
VR1, VR2, VR3	=	Valvula Llenado del tanque externo W REC	Valve filling external tank W REC	Vanne de remplissage de réservoir externe W REC
Vt1, Vt2, Vt3	=	Valvula Vaciado de tanque externo W REC	Drain Valve external tank W REC	Vanne de vidange de réservoir externe W REC
COLOR	=	COLORES	COLOUR	COULEURS
BLK, bk, n	=	Negro	Black	Noir
BLU, bl, a	=	Azul	Blue	Bleu
BRN, bn, m	=	Marrón	Brown	Marron
GRN, gn, ve	=	Verde	Green	Vert
GRY, gy, g	=	Gris	Grey	Gris
ORG, or, na	=	Naranja	Orange	Orange
PNK, pk, rs	=	Rosa	Pink	Rose
PRP, pr, vi	=	Violeta	Purple	Violet
RED, rd, r	=	Rojo	Red	Rouge
WHT, wh, b	=	Blanco	White	Blanc
YEL, yw, am	=	Amarillo	Yellow	Jaune
YEL/GRN, am/ve	=	Amarillo/verde	Yellow / green	Jaune / vert